

C7350 Series

••••• USER'S GUIDE



OKI

PREFACE

Every effort has been made to ensure that the information in this document is complete, accurate, and up-to-date. Oki assumes no responsibility for the results of errors beyond its control. Oki also cannot guarantee that changes in software and equipment made by other manufacturers and referred to in this guide will not affect the applicability of the information in it. Mention of software products manufactured by other companies does not necessarily constitute endorsement by Oki.

While all reasonable efforts have been made to make this document as accurate and helpful as possible, we make no warranty of any kind, expressed or implied, as to the accuracy or completeness of the information contained herein.

The most up-to-date drivers and manuals are available from the Oki web site:

<http://www.okieurope.com>

Copyright © 2004 Oki Europe Ltd.

Oki and Microline are registered trademarks of Oki Electric Industry Company, Ltd.

Energy Star is a trademark of the United States Environmental Protection Agency.

Microsoft, MS-DOS and Windows are registered trademarks of Microsoft Corporation.

Other product names and brand names are registered trademarks or trademarks of their proprietors.



As an Energy Star Program Participant, the manufacturer has determined that this product meets the Energy Star guidelines for energy efficiency.



This product complies with the requirements of the Council Directives 89/336/EEC (EMC) and 73/23/EEC (LVD) as amended where applicable on the approximation of the laws of the member states relating to electromagnetic compatibility and low voltage.

CONTENTS

Preface	2
Notes, cautions & warnings	8
Introduction	9
Features	9
Using this manual	11
Online usage	11
Printing Pages	12
Getting started	13
Unpacking	13
CD-ROM disk contents	14
CD1 - Drivers	14
CD2 - Manuals	14
CD3 - Network	14
Printer location	15
Printer components	16
Setting up	19
Packaging and protective sheet removal	19
Toner cartridge installation	24
Loading paper	28
Manual feed	32
Power connection	33
Control panel	34
Menu settings	35
Changing the display language	35
Confirmation printout	36
Paper feed, size and media	36
Paper, envelope types, transparencies and adhesive labels	40
Paper feed and exit	41
Paper sizes	41
Paper weights and media settings	42
Printer settings	43
Confirming current settings	43
Changing the settings	43
List of menu settings	44
Print jobs menu	44
Information menu	45
Test Print menu	45
Shutdown menu	45
Print Menu	46

Colour menu	47
System configuration menu	50
PCL emulation	52
PPR emulation	54
HP-GL/2 emulation.	55
Parallel menu	58
USB menu	59
IEEE1394 menu.	59
Network menu.	60
Memory menu	61
Disk maintenance menu	61
System adjust menu	62
Maintenance menu.	63
Usage menu	64
Administrator menu	65
Switching off	67
Interfaces	68
Printer Drivers	70
Which printer driver?	70
Installing a printer driver	71
Printer driver network extension	72
Installed options	73
Paper feed, size and media – defaults.	74
Setting media defaults with the PCL driver	75
Setting media defaults with the PostScript driver	76
Colour printing.	77
Factors that affect the appearance of prints	77
Choosing a colour matching method.	79
RGB or CMYK?.	79
Matching photographic images	79
Matching specific colours	80
Printing vivid colours	80
Colour matching with the PCL driver.	81
Using the colour swatch	82
Colour management with the PCL driver.	82
Colour matching with the PostScript driver	84
Oki colour matching	84
PostScript colour matching	85
No colour matching	86
Windows ICM colour matching.	86

Using ICC profiles	87
Pantone® colour matching	88
Operation	89
Multiple pages on one sheet	90
PCL driver	90
PostScript driver	91
Custom page sizes	92
PCL driver	92
PostScript driver	93
Print resolution	94
Duplex printing	95
PCL driver	95
PostScript driver	96
Printing booklets	97
PCL driver	97
PostScript driver	98
Printing watermarks	99
PCL driver	99
PostScript driver	100
Collating	101
Font substitution	102
PostScript driver – Windows XP	102
PostScript driver – Windows 98	103
Printing the list of fonts stored on the printer	103
Proof and print	104
Printing copies	105
Deleting copies	105
Secure printing	106
Confidential printing	107
Deleting confidential print jobs	107
Store to hard disk	108
Printing copies	109
Deleting copies	109
Overlay printing	110
What are overlays?	110
An example of using overlays	110
Overview of the steps required	110
Creating documents to use as overlays	111
Downloading the print file to use as an overlay	112
Defining overlays	114
Printing posters	118

Maintenance	119
Adding Paper	119
Changing the toner cartridge	122
Changing the image drum	128
Changing the transfer belt.	134
Changing the fuser unit.	138
Cleaning the LED head	140
Transporting the printer	142
Troubleshooting	144
LCD messages	144
Paper jams	147
In the paper tray	147
Behind the front cover	148
On the transfer belt	149
Behind the rear cover.	150
In the fuser unit	151
In the duplex unit	153
In any additional paper trays	155
Parallel transmission mode	156
Problem solving	157
Paper feed problems	157
Paper jam has been cleared, but printer does not print	157
Printing from Windows	158
Cannot configure for parallel connection	158
Cannot configure for USB connection	158
Printout is garbled or incorrect with parallel connection	159
Cannot print	159
Application error or general protection fault is displayed	160
Insufficient memory	160
Printing is slow	160
Printer requests paper size change to continue printing	161
Unclear printing.	161
Miscellaneous	163
The power is on, but the printer does not go online.	163
Print processing does not start	163
Print processing cancels	163
Printer makes a strange noise	164
Printer takes a long time to start printing	164

Toner rubs off when you rub the printed surface	164
Accessories	165
Additional memory	165
Internal hard disk	168
Duplex unit	170
Additional paper trays	171
S700 Scancofier system	173
Specifications	174
External dimensions	176
Consumables	177
Factory Default Settings	178
Print menu	178
Media menu	178
Colour menu	179
System Config menu	179
PCL Emulation menu	180
PPR Emulation menu	180
FX Emulation menu	181
Parallel menu	182
USB menu	182
Network menu	182
Memory menu	183
Disk Maintenance menu	183
System Adjust menu	183
Maintenance menu	184
Index	185
Oki contact details	186

NOTES, CAUTIONS & WARNINGS

NOTE

A note provides additional information to supplement the main text.

CAUTION!

A caution provides additional information which, if ignored, may result in equipment malfunction or damage.

WARNING!

A warning provides additional information which, if ignored, may result in a risk of personal injury.

ONLY USE GENUINE OKI ORIGINAL CONSUMABLES TO ENSURE THE BEST QUALITY AND PERFORMANCE FROM YOUR HARDWARE. NON-OKI ORIGINAL PRODUCTS MAY DAMAGE YOUR PRINTER'S PERFORMANCE AND INVALIDATE YOUR WARRANTY. SPECIFICATIONS SUBJECT TO CHANGE WITHOUT NOTICE. ALL TRADEMARKS ACKNOWLEDGED.

INTRODUCTION

Congratulations on purchasing this Oki colour printer!

In this chapter you will find a summary of the main features of your printer followed by some advice on how to use this User's Guide to get the most from your printer.

FEATURES

Three different models to choose from: C7350n, C7350dn, C7350dtn.

- > High speed printing — 24 page per minute colour, 26 page per minute monochrome.
- > Booklet printing.
- > Single pass digital technology for high quality, speed and reliability.
- > 1200 x 600 dpi resolution for very high quality output.
- > Duplex printing for fast reliable two sided output (standard on C7350dn and C7350dtn, optional on C7350n).
- > High speed, bi-directional parallel interface (IEEE-1284) and USB 2.0 Full Speed interface.
- > Industry standard network connectivity via internal network interface.
- > Automatic interface switching between USB, parallel and network interfaces.
- > High capacity 20Gb hard disk drive.
- > PCL5c & PCL6 emulation and genuine Adobe PostScript 3 with automatic switching.
- > Versatile paper handling with standard 530 sheet paper tray and 100 sheet multi purpose tray, up to a maximum of 1690 sheets capacity with the second and third paper trays installed.
- > Paper weight capacity of 60 g/m² to 203 g/m².
- > Standard multi purpose tray for card stock, envelopes etc.

- > 500 sheet output tray (face down) and 100 sheet face up tray for continuous smooth running output.
- > Environmentally friendly: the advanced power save mode minimises power consumption and the separate toner and drum design cuts down on waste.
- > Automatic colour balance adjustment: in order to ensure consistent output at all times, the machine automatically performs a colour check when the machine is switched on, when the top cover is opened and then closed, and adjusts the colour balance automatically. It can even be set to adjust the colour balance during long print runs.
- > Auto media detect: detects the weight of the media being fed through the printer then automatically adjusts the fusing temperature, speed (if necessary) and transfer voltage to ensure correct fusing and print quality.
- > Your printer is one of the Oki C7350n/C7350dn/C7350dtn family of colour printers, configured as in the following table:

MODEL	DUPLEX	HARD DISK	2ND TRAY	3RD TRAY	CABINET
C7350n	Option	Option	Option	Option	Option
C7350dn	Standard	Option	Option	Option	Option
C7350dtn	Standard	Option	Standard	Option	Standard

USING THIS MANUAL

This manual will lead you logically through the unpacking, setting up and operation of your printer to help you to make the best use of its many advanced features. Also included are guidelines for troubleshooting and maintenance to ensure that it continues to perform at its best. Instructions are also provided for adding optional accessories as your needs evolve.

The User's Guide has been written using one printer as a model, and the illustrations/screenshots reflect this. What you see will be appropriate to the model you are installing.

The User's Guide has been designed to provide you with a clear presentation on the installation and maintenance of your new printer. This information is compiled in the logical sequence required to result in a successful installation.

NOTE

The information in this manual is supplemented by the extensive online help facility associated with the printer driver software.

ONLINE USAGE

This manual is intended to be read on screen using Adobe Acrobat Reader. Use the navigation and viewing tools provided in Acrobat.

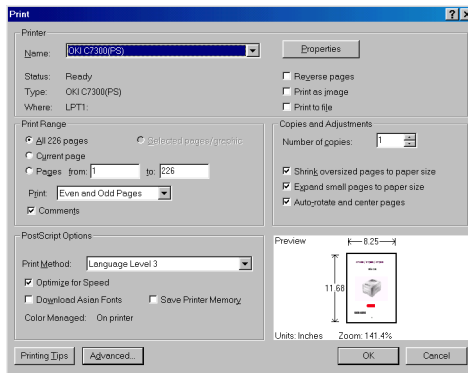
You can access specific information in two ways:

- > In the list of bookmarks down the left hand side of your screen, click on the topic of interest to jump to the required topic. (If the bookmarks are not available, use the Table of Contents.)
- > In the list of bookmarks click on Index to jump to the Index. (If the bookmarks are not available, use the Table of Contents.) Find the term of interest in the alphabetically arranged index and click on the associated page number to jump to the page containing the subject.

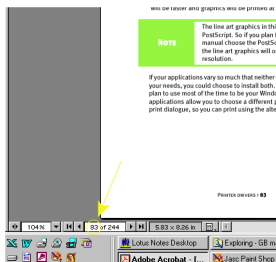
PRINTING PAGES

The whole book, individual pages, or sections may be printed. The procedure is:

1. From the toolbar, select **[File]**, then **[Print]** (or press the **Ctrl + P** keys).
2. Choose which pages you wish to print:
 - (a) **[All pages]**, for the entire manual.
 - (b) **[Current page]** for the page at which you are looking.



- (c) **[Pages from]** and **[to]** for the range of pages you specify by entering their page numbers.



3. Click on **[OK]**.

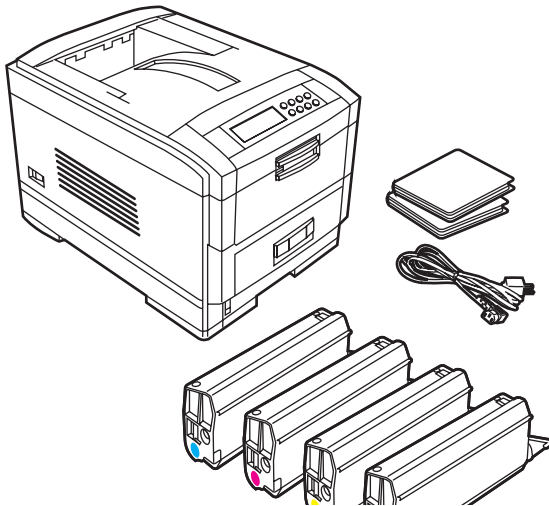
GETTING STARTED

UNPACKING

WARNING!

This printer has a weight of 48 kg. 2 people are required to lift the printer safely.

After unpacking the printer and choosing a suitable place to put it, check that all the necessary parts are available to continue.



1. The printer.
2. 4 toner cartridges (cyan, magenta, yellow and black).
3. CD-ROM disks containing printer drivers, network software and documentation (see following page for contents).
4. LED lens cleaner (not illustrated).
5. Light proof plastic bags (not illustrated).
6. 2 Power cables (UK and European).
7. Setup Guide (not illustrated).

Retain all packing materials to facilitate transport.

CD-ROM DISK CONTENTS

The CD-ROM disks supplied with your printer contain the following software:

CD1 - DRIVERS

- > Oki LPR
- > CD Install
- > Oki Template
- > Printer Drivers (all languages)

The software utilities are described briefly in the Help facility on the CD and can be installed as required.

CD2 - MANUALS

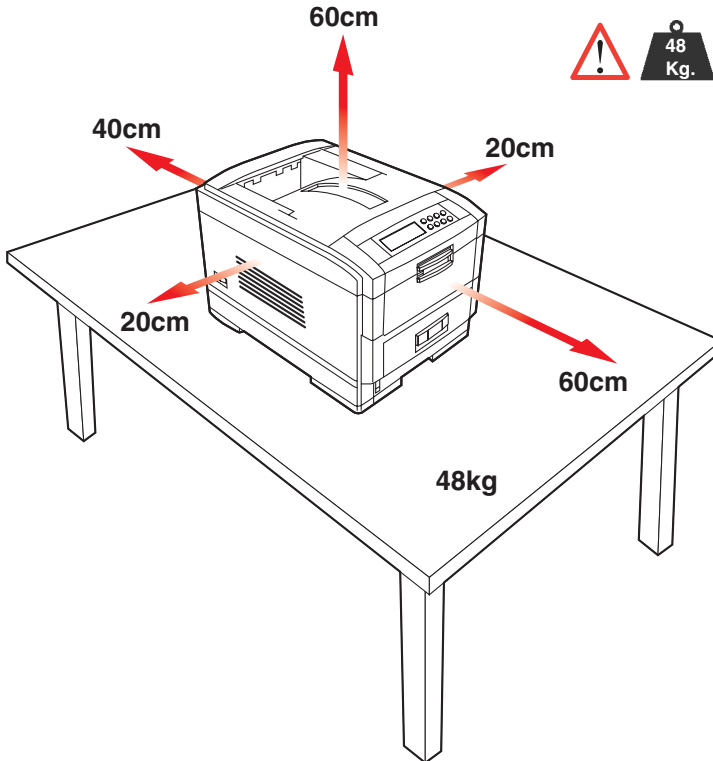
- > Printer User's Guide

CD3 - NETWORK

- > PrintSuperVision
- > NDPS
- > OkiCD Install
- > OkiStorage Device Manager
- > PDF Direct Printing
- > Print Control Software
- > Networking User's Guide

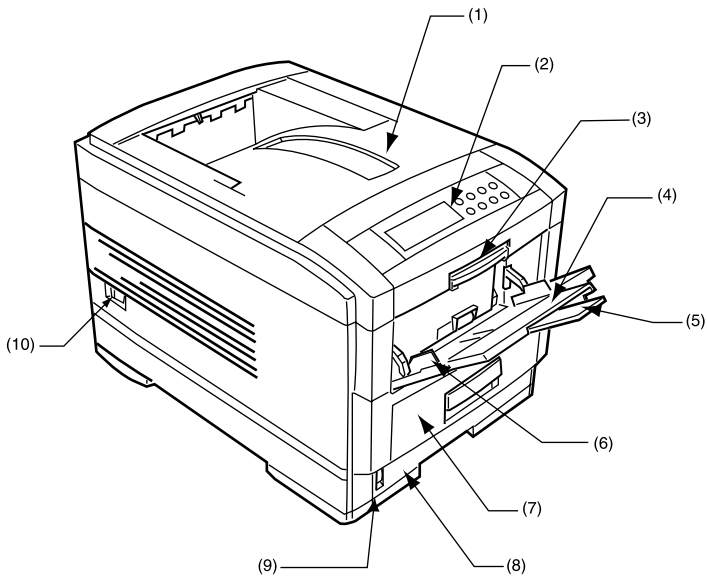
PRINTER LOCATION

Place the printer on a flat surface large enough and strong enough to accept the size and weight of the printer. There must be sufficient space around the printer to allow for access and printer maintenance.



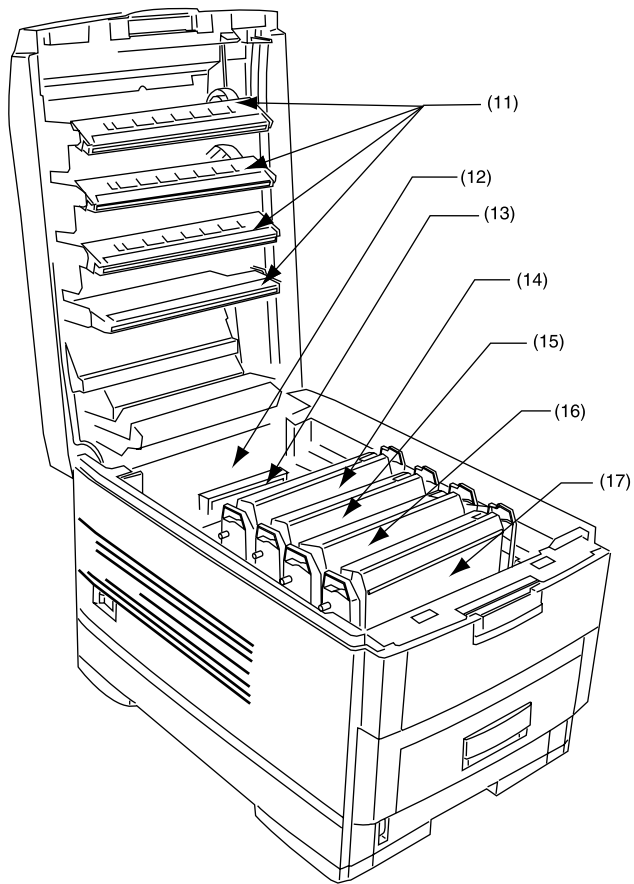
PRINTER COMPONENTS

1. Top cover
2. Control panel
3. Top cover release catch
4. Multi purpose tray (manual feed)
5. Paper support extension



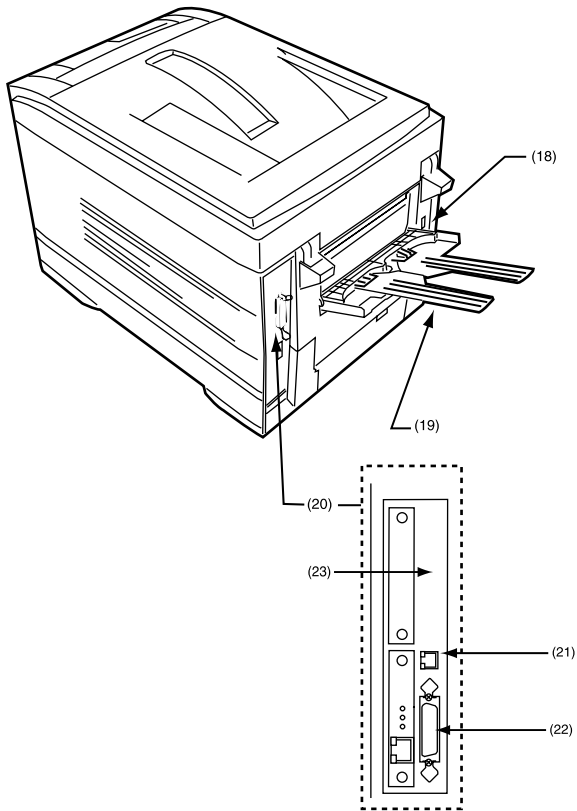
6. Paper guides
7. Front cover
8. Paper tray
9. Paper level indicator
10. Power switch

- 11.** LED heads (4)
- 12.** Discharge roller
- 13.** Fuser unit
- 14.** Image drum and toner cartridge (cyan)



- 15.** Image drum and toner cartridge (magenta)
- 16.** Image drum and toner cartridge (yellow)
- 17.** Image drum and toner cartridge (black)

- 18.** Power connector
- 19.** Rear exit paper tray
- 20.** Interfaces and option card slot



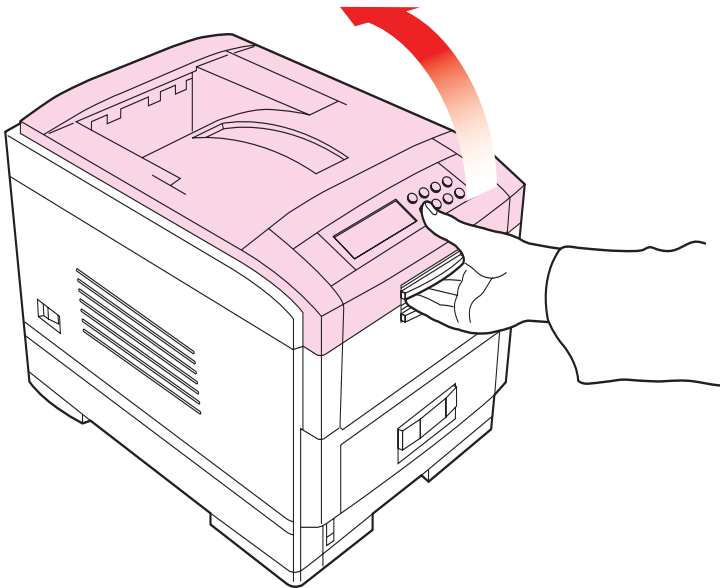
- 21.** USB interface connector
- 22.** Parallel interface connector
- 23.** Network interface

SETTING UP

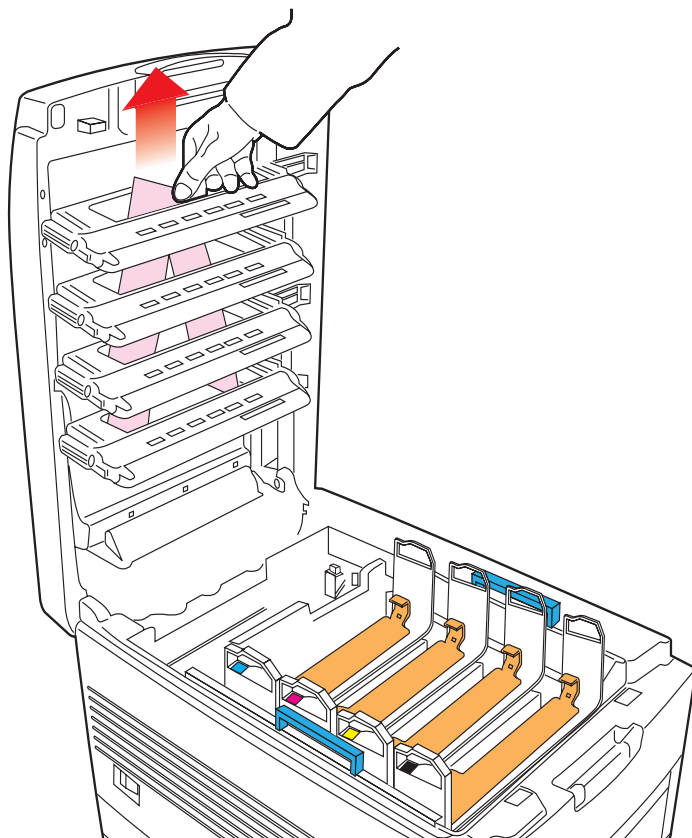
Before connecting this printer to a computer and power supply, the toner cartridges must be installed and paper inserted in the paper tray.

PACKAGING AND PROTECTIVE SHEET REMOVAL

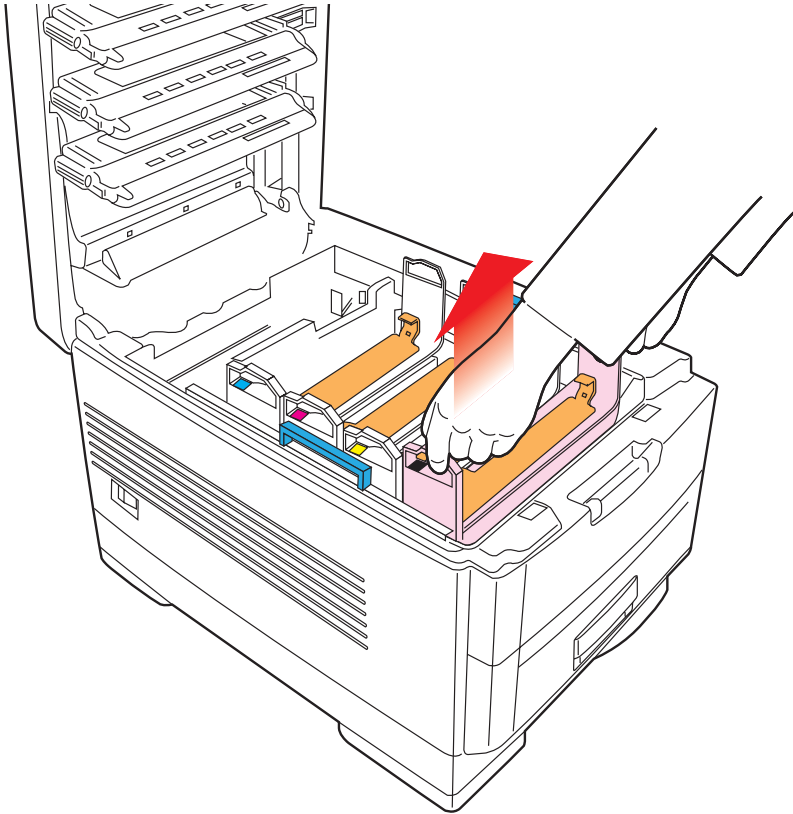
1. Remove any adhesive tape and packaging from the printer.
2. Using the release handle, open the top cover.



3. Remove the LED head restrainer from behind the LED heads in the top cover.



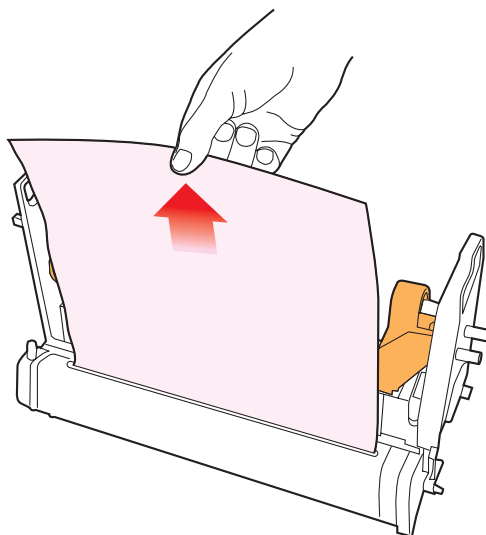
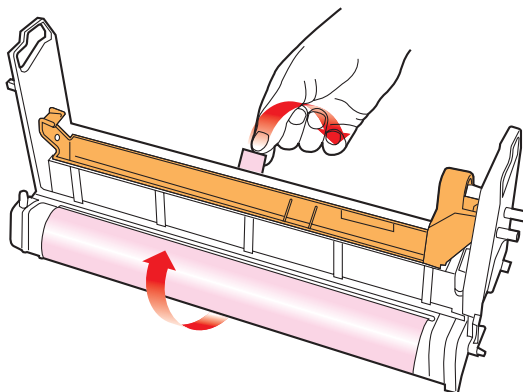
4. Remove the four image drums and place them on a level surface.



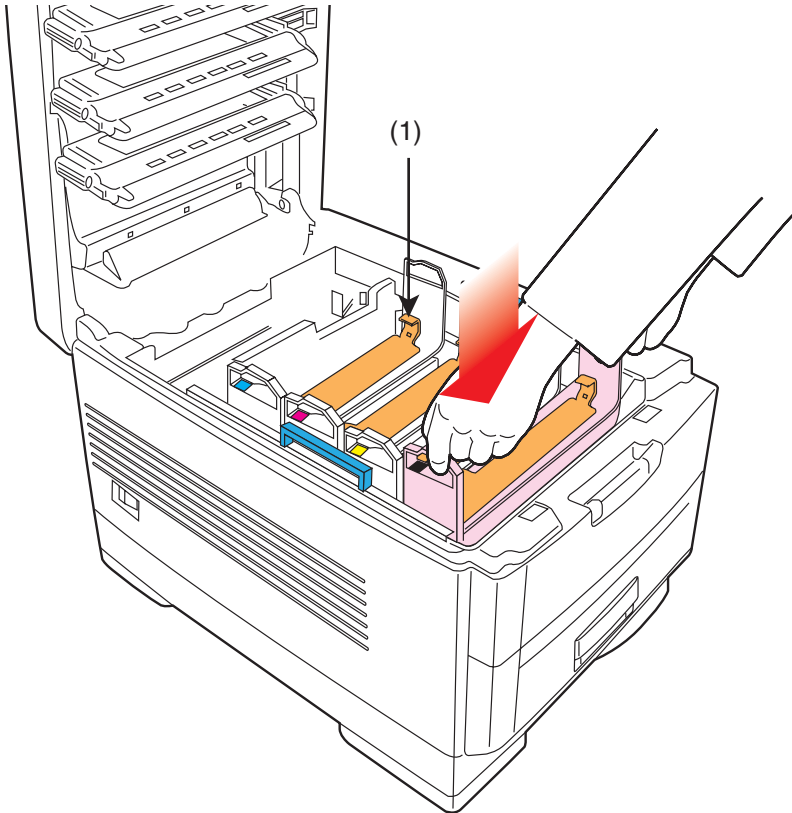
CAUTION!

- > **Never expose image drums to light for more than 5 minutes.**
- > **Always hold image drums by the ends.**
- > **Never expose image drums to direct sunlight.**
- > **Never touch the green surface of the drum.**

- 5.** Remove the protective sheets from each of the four image drums.



6. Replace the four image drums into the printer making sure each image drum is installed in its correct colour location.



7. Push the tab (1) inwards and remove the blanking plate from each of the image drums.

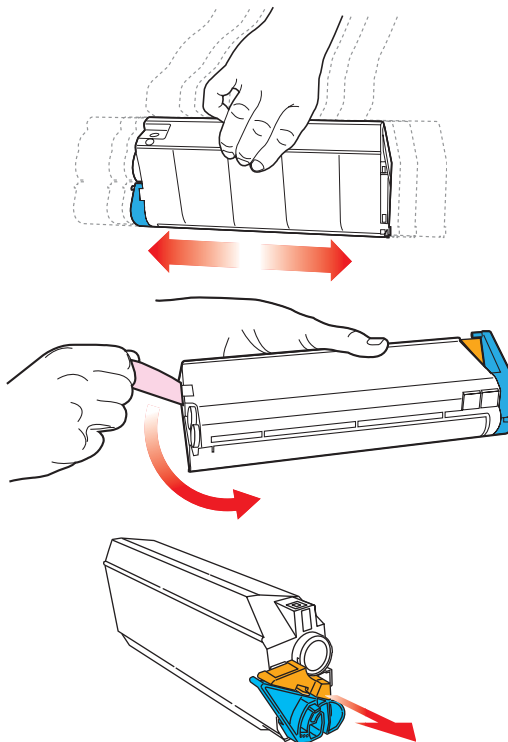
TONER CARTRIDGE INSTALLATION

WARNING!

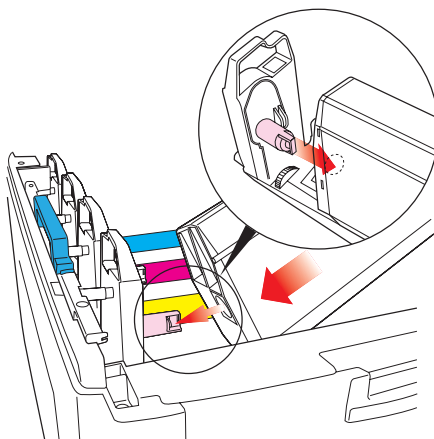
Take extreme care when handling toner.

- > **Toner can be harmful if inhaled, swallowed or if it gets in the eyes.**
- > **Toner can also stain hands and clothing.**

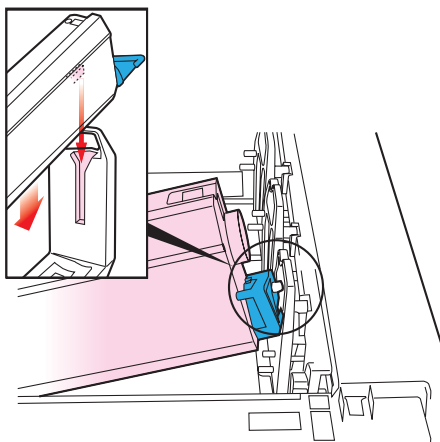
1. Remove the four colour toner cartridges from their packages.
2. Shake the toner cartridges back and forth several times then, holding each toner cartridge horizontally, remove the tape. Remove the locking piece from behind the coloured toner release lever.



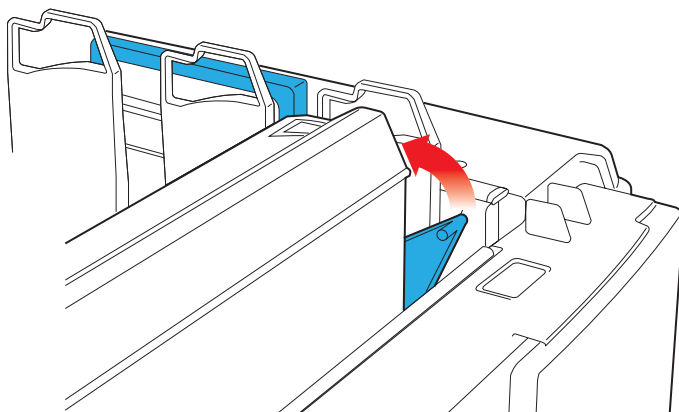
- 3.** Insert each toner cartridge into its image drum, left side first, engaging the drum locating peg in the hole in its toner cartridge. Make sure the colours of the toner cartridge and image drum correspond.



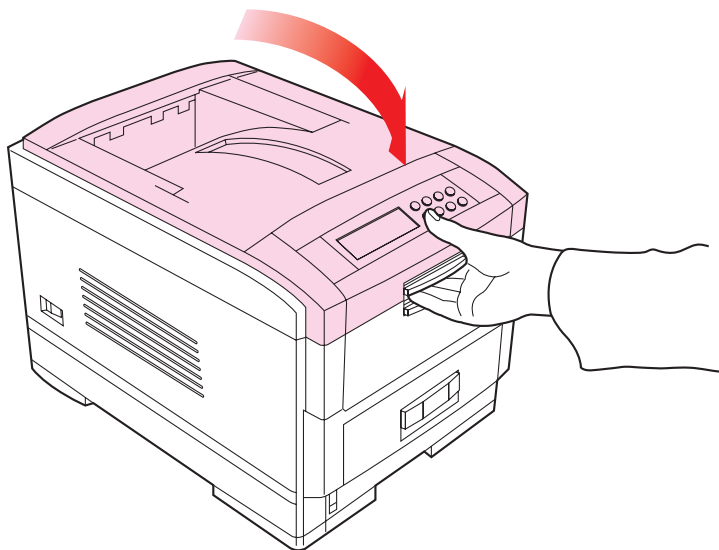
- 4.** Gently push the toner cartridge down engaging the locking pin into the groove on the image drum.



- 5.** Gently push the coloured lever toward the rear of the machine until it stops. This releases the toner into the image drum.

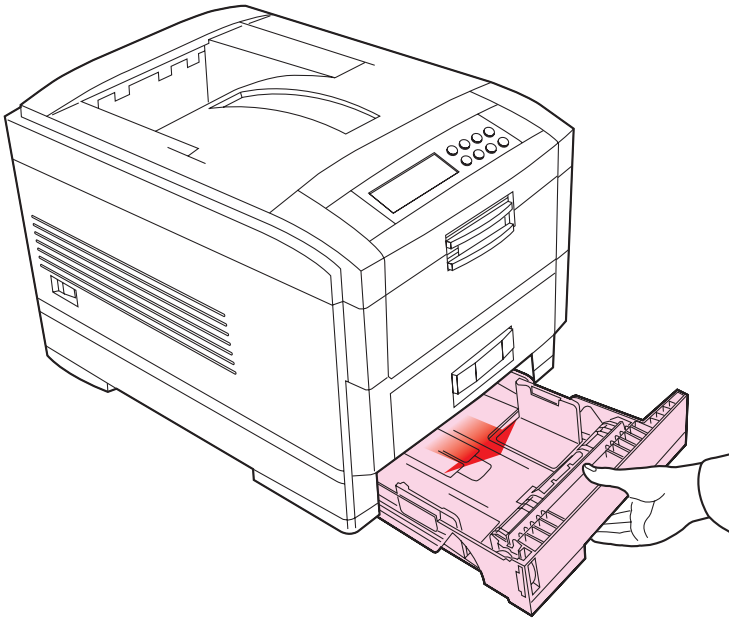


6. Close the top cover.

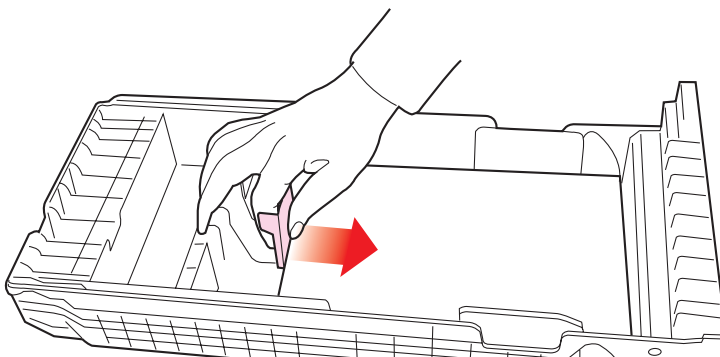
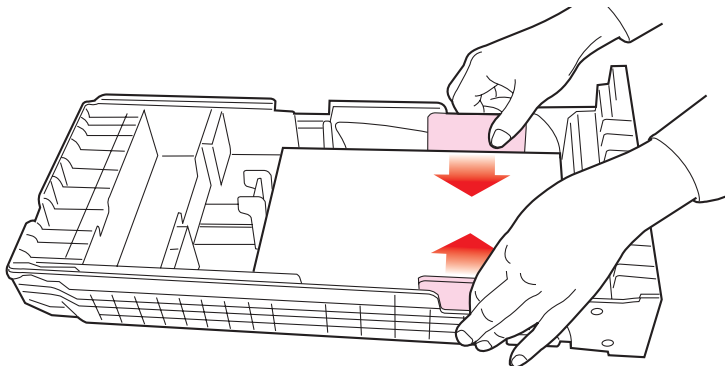


LOADING PAPER

1. Remove the paper tray from the printer.



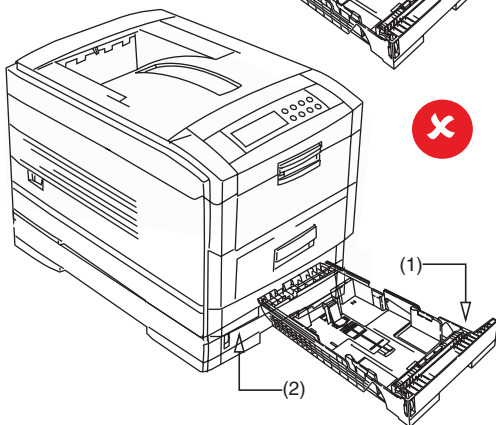
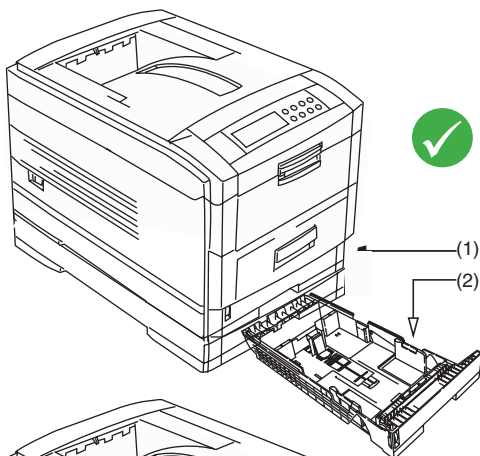
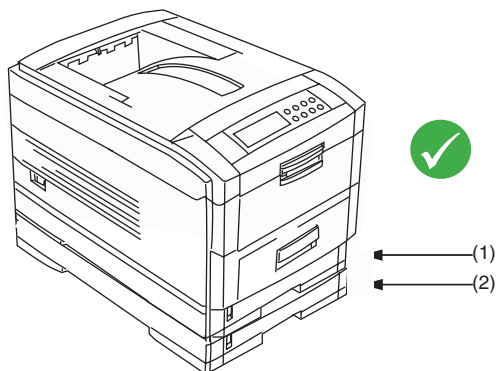
- 2.** Adjust the paper guides and rear stopper for the size of paper being used.



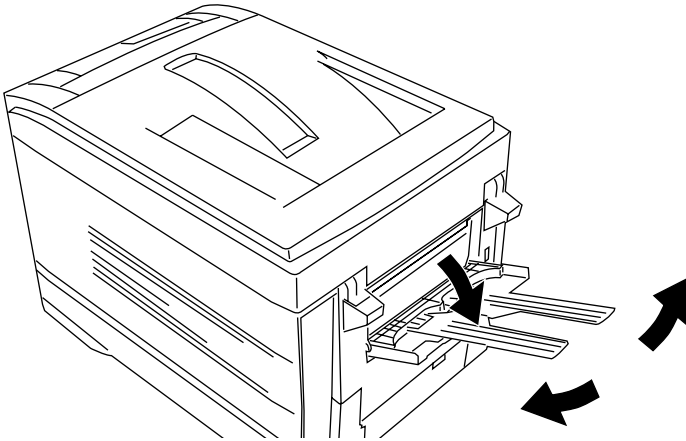
- 3.** To prevent paper jams:

- > Don't leave space between the paper and the paper guides and rear stopper.
- > Don't overfill the paper tray. Capacity depends on the type of paper and the paper weight.
- > Don't load damaged paper.
- > Don't load paper of different sizes, paper quality or thickness at the same time.
- > Don't remove the paper tray during printing.
- > Close the paper tray gently.

- 4.** If fitted, a lower paper tray cannot be used to print if there is no paper tray inserted above it.



5. For face down printing, make sure the rear paper exit is closed (the paper exits from the top of the printer). Paper is stacked in printed order and paper tray capacity is approximately 500 sheets, depending on paper weight.
6. For face up printing, make sure the rear paper exit is open and the paper support is extended. Paper is stacked in reverse order and tray capacity is approximately 100 sheets, depending on paper weight.



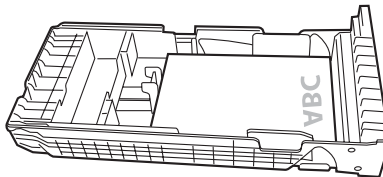
CAUTION!

Don't open or close the rear paper exit while printing as it may result in a paper jam.

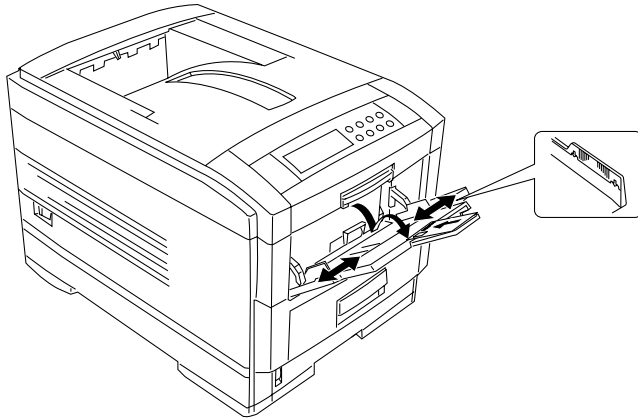
NOTE

Always use the rear stacker for thick paper (card stock etc.)

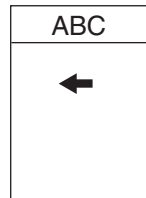
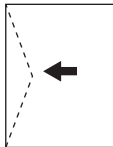
7. Load letter headed paper face down as shown for both portrait and landscape:



MANUAL FEED



1. Open the multi purpose tray and extend the paper feed guides.
2. Load the paper and adjust the paper guides to the size of paper being used.
3. Load the paper into the multi purpose tray with the print face upward for single sided printing and print face downward for duplex printing.
4. Don't exceed the Paper Full line (about 100 sheets depending on paper weight).
5. Load envelopes or letter headed paper face up as shown for both portrait and landscape printing.



CAUTION!

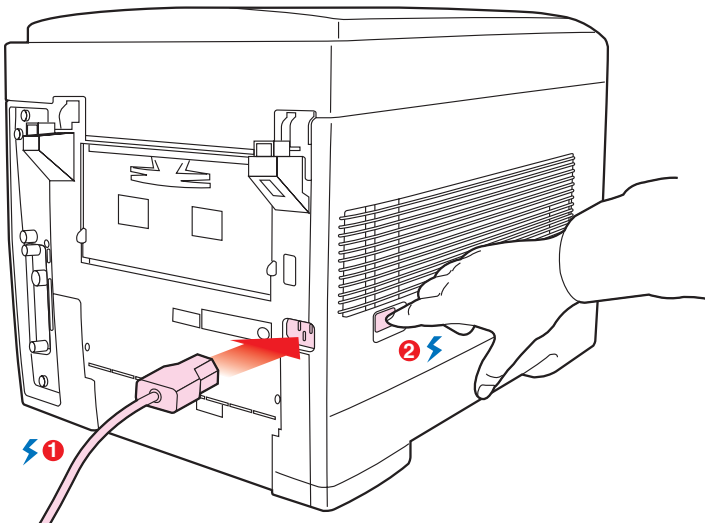
Don't open or close the rear paper exit while printing as it may result in a paper jam.

POWER CONNECTION

WARNING!

Ensure both the printer power switch and the AC supply are switched OFF before connecting the power cable.

1. Connect the power cable (1) into the power socket on the printer, then into a grounded power supply outlet and switch ON the AC supply.



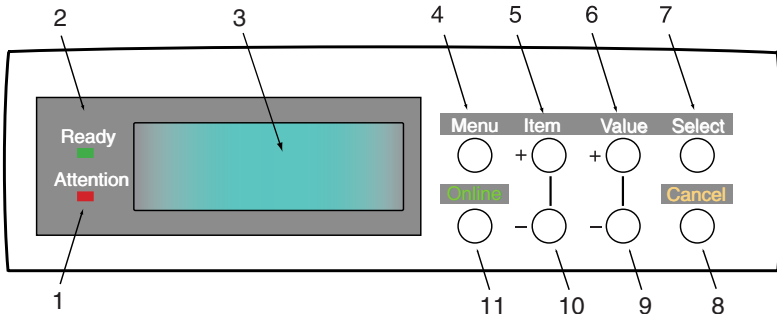
2. Switch the printer ON using the main power switch (2).

The printer will go through its initialisation and warm up sequence. When the printer is ready, the READY indicator comes on and stays on (green) and the LCD indicates ONLINE.

NOTE

After installing the new toner cartridges, the message TONER LOW or CHANGE TONER may appear on the display. If this message does not disappear after a few pages have been printed, reinstall the appropriate toner cartridge.

CONTROL PANEL

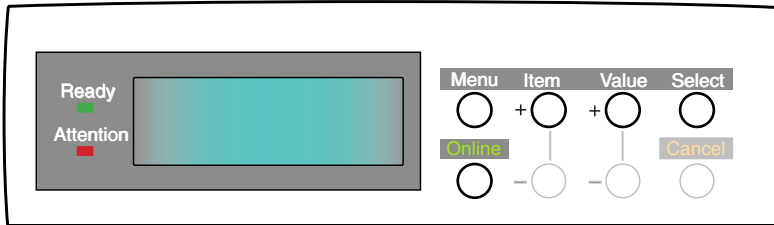


- 1. Attention indicator (red).** ON indicates that attention is required, but printing will continue. FLASHING indicates that attention is required, but printing will stop.
- 2. Ready indicator (green).** ON - ready to receive data. FLASHING indicates processing data or error.
- 3. Liquid crystal display. (LCD) panel.** Two rows of up to 24 alphanumeric characters displaying print status, menu items in menu mode and error messages.
- 4. Menu button.** Press briefly to enter the MENU mode. Press briefly again to select the next menu. Press for more than 2 seconds to scroll through the different menus.
- 5. Item(+) button.** Press briefly to scroll forward to the next menu item.
- 6. Value (+) button.** Press briefly to scroll forward to the next value setting for each menu item.
- 7. Select button.** Press briefly to select the menu, item or value indicated on the LCD.
- 8. Cancel button.** Press to cancel a print job.
- 9. Value (-) button.** Press briefly to scroll backward to the next value setting for each menu item.
- 10. Item (-) button.** Press briefly to scroll backward to the next menu item.
- 11. Online button.** Switches between online and offline status. When pressed in Menu mode, returns the printer to ONLINE status. When pressed with DATA PRESENT displayed, it forces the printer to print out the remaining

data in the printer. Also when there is an error indicating wrong paper size, pressing the Online button forces the printer to print.

MENU SETTINGS

CHANGING THE DISPLAY LANGUAGE

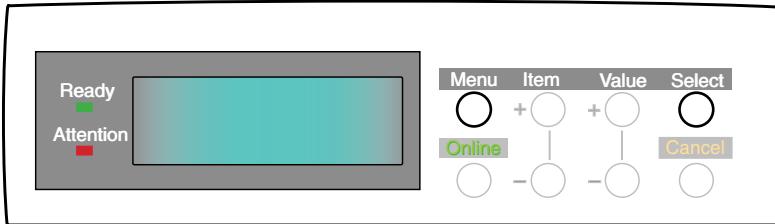


Carry out the following instructions to change the language that is displayed on the printer's LCD.

1. Press the **Online** button to return the printer to offline status.
2. Press the **Menu** button repeatedly until SYSTEM CONFIG MENU is displayed.
3. Press the **Select** button.
4. Press the **Item** button repeatedly until LANGUAGE is displayed.
5. Press the **Value** button repeatedly until the required language is displayed.
6. Press the **Select** button. An asterisk (*) appears next to the selected language.
7. Press the **Online** button when you have finished setting the display language.

CONFIRMATION PRINTOUT

Print a list of menu settings to confirm that the printer is correctly configured.



1. Press the **Menu** button until the INFORMATION MENU is displayed, then press the Select button.
2. Confirm that PRINT MENU MAP is displayed on the LCD.
3. Press the **Select** button to print the menu map.

PAPER FEED, SIZE AND MEDIA

Your printer automatically detects paper weight and size. You have the option, however, to override these settings as follows:

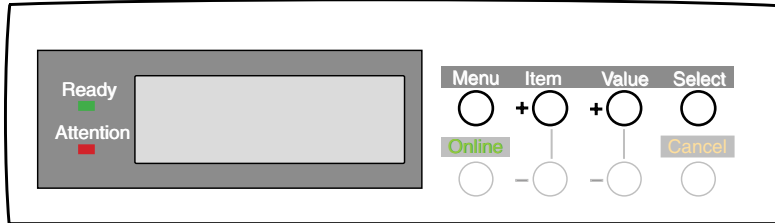
Using the control panel on your printer, you can choose:

- > which paper to use
- > the size of the paper you wish to use
- > the weight of the paper (thickness)
- > the type of paper

NOTE

- > *If the settings in the printer differ from those selected on your computer, the printer will not print and the LCD will display an error message.*
- > *The following printer settings are given as a guide only. Some software applications require the paper feed, size and media settings to be selected from within the application (page setup).*

Paper feed selection



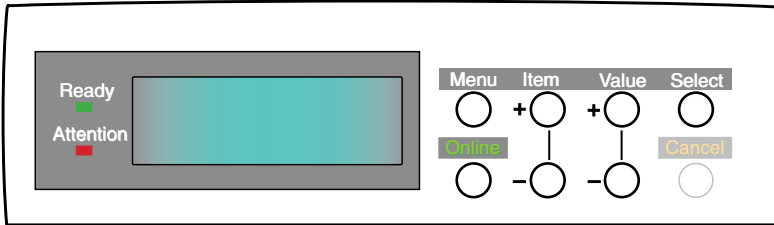
The paper feed, paper size, paper weight and media type can be set manually on the printer using the control panel as follows.

1. Press the **Online** button to return the printer to offline status.
2. Press the **Menu** button repeatedly until PRINT MENU is displayed, then press the **Select** button.
3. Press the **Item** button until PAPER FEED is displayed.
4. Press the **Value** button until the required paper feed is displayed, then press the **Select** button. An asterisk (*) appears next to the selected paper feed.

NOTE

When the AUTO TRAY SWITCH is set to ON and more than one paper tray is fitted, paper feed automatically switches to the next available paper tray, providing non-stop printing.

Paper size

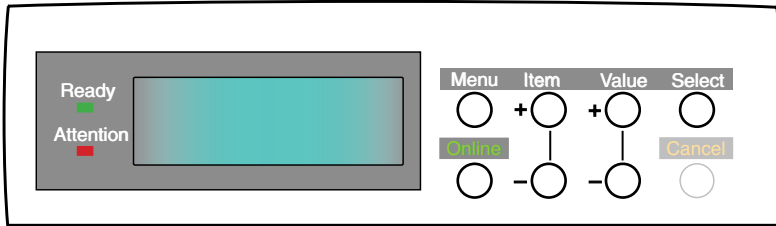


NOTE

- 1. When using paper trays, standard paper sizes are recognised automatically with CASSETTE SIZE (default setting) selected. Paper size need only be set for custom paper sizes.*
- 2. When using the Multi-Purpose (MP) tray (manual feed), the paper size has to be selected.*
1. Press the **Online** button to return the printer to offline status.
2. Press the **Menu** button until PRINT MENU is displayed, then preset **Select** button.
3. Press either **Item (+)** or **(-)** button repeatedly until EDIT SIZE is displayed.
4. Press either **Value (+)** or **(-)** button until the required paper size is displayed, then press the **Select** button. An asterisk (*) appears next to the selected paper size.
5. Press the **Online** button to return the printer to ONLINE status.
6. Select the correct paper settings in the printer driver before printing the file.

Media type and weight

Your printer automatically detects paper type and weight. You have the option, however, to override these settings as follows:



CAUTION!

If media type or media weight are not correctly set, print quality deteriorates and the fuser roller may be damaged.

1. Press the **Online** button to return the printer to offline status.
2. Press the **Menu** button until MEDIA MENU is displayed, then press the **Select** button.
3. Press the **Item (+)** or **(-)** button until MEDIA TYPE or MEDIA WEIGHT for the required tray is displayed.
4. Press the **Value (+)** or **(-)** button until the required paper type or weight is displayed, then press the **Select** button. An asterisk (*) appears next to the selected paper type or weight.
5. Press the **Online** button to return the printer back to online status.

Select the correct paper settings in the printer driver before printing the file.

PAPER, ENVELOPE TYPES, TRANSPARENCIES AND ADHESIVE LABELS

We recommend the following guidelines when selecting paper and envelopes for use in this printer:

- > All paper and envelopes should be stored flat and away from moisture, direct sunlight and heat sources.
- > Use envelopes designed for use in laser type printers.
- > The use of heavily laid or textured paper will seriously impact on the life of the image drum and give poor print quality. Print quality can be improved by changing the media setting to 'Ultra Heavy'. However, this will reduce the output speed and prevent the use of the duplex option.
- > Don't use very smooth, shiny or glossy paper.
- > Don't use heavily embossed headed paper, very rough paper or paper that has a large grain difference between the two sides.
- > Don't use paper with perforations, cut-outs or ragged edges.
- > Don't use envelopes with windows or metal clasps.
- > Don't use envelopes with self sealing flaps.
- > Don't use damp, damaged or curled paper and envelopes.
- > Don't use carbon paper, NCR paper, photosensitive paper, pressure sensitive paper or thermal transfer paper.
- > Media must be designed for use in colour laser printers and photocopiers.
- > Must be able to withstand 200°C for 0.1 sec.
- > Labels should cover entire carrier sheet.
- > Carrier sheet or adhesive must not be exposed to any part of the printer.

PAPER FEED AND EXIT

Selection of which paper feed and which paper exit to use for printing and whether simplex (single sided) or duplex (double sided) printing is available, depends upon the paper size, media weight and media type that is used. Please refer to the following tables:

PAPER SIZES

PAPER SIZE	FEED			EXIT	
	TRAY 1	TRAYS 2 & 3	MANUAL	REAR (FACE UP)	TOP (FACE DOWN)
A4	Simplex/ Duplex	Simplex/ Duplex	Simplex/ Duplex	Simplex/ Duplex	Simplex/ Duplex
A5	Simplex/ Duplex	Simplex/ Duplex	Simplex/ Duplex	Simplex/ Duplex	Simplex/ Duplex
A6	Simplex	Not available	Simplex	Simplex	Not available
B5	Simplex/ Duplex	Simplex/ Duplex	Simplex/ Duplex	Simplex/ Duplex	Simplex/ Duplex
Letter	Simplex/ Duplex	Simplex/ Duplex	Simplex/ Duplex	Simplex/ Duplex	Simplex/ Duplex
Legal 13in	Simplex/ Duplex	Simplex/ Duplex	Simplex/ Duplex	Simplex/ Duplex	Simplex/ Duplex
Legal 14in	Simplex/ Duplex	Simplex/ Duplex	Simplex/ Duplex	Simplex/ Duplex	Simplex/ Duplex
Executive	Simplex/ Duplex	Simplex/ Duplex	Simplex/ Duplex	Simplex/ Duplex	Simplex/ Duplex
Envelopes (Com 9, Com 10, DL, C5, C4, Monarch)	Not available	Not available	Simplex	Simplex	Not available
Custom width 76.2– 215.9mm, height 127.0– 1200mm	Simplex	Not available	Simplex	Simplex	Not available

PAPER WEIGHTS AND MEDIA SETTINGS

PAPER WEIGHT	MEDIA SETTING	FINISHING OPTIONS				
		FEED FROM TRAY 1	FEED FROM TRAYS 2 & 3	MANUAL FEED	REAR (FACE UP)	TOP (FACE DOWN)
60–64g/m ²	Light	S	S	S	S	S
65–74g/m ²	Medium light	S	S	S	S	S
75–90g/m ²	Medium	S/D	S/D	S	S/D	S/D
91–104g/m ²	Medium heavy	S/D	S/D	S	S/D	S/D
105–122g/m ²	Heavy	S	S	S	S	S
123–203g/m ²	Ultra heavy	N/A	N/A	S	S	N/A
—	Transparencies	S	N/A	S	S	N/A
0.1–0.17mm	Labels 1	N/A	N/A	S	S	N/A
0.17–0.2mm	Labels 2	N/A	N/A	S	S	N/A

FINISHING OPTIONS:

S Simplex (single sided printing)
D Duplex (double sided printing) if duplex unit installed.
S/D Simplex or Duplex
N/A Not available

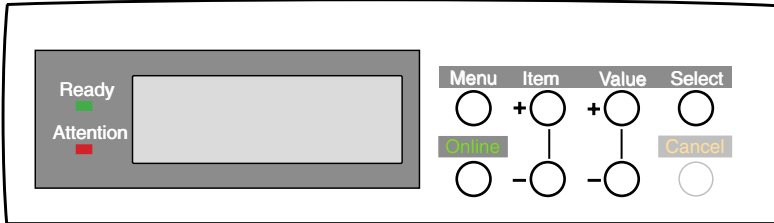
NOTE

Recycled paper is slightly thicker than the paper weight (ream weight) indicated on the wrapper. To ensure that toner is fused correctly on such paper, make sure that the MEDIA TYPE is set to RECYCLED and MEDIA WEIGHT is set to AUTO.

PRINTER SETTINGS

CONFIRMING CURRENT SETTINGS

Current menu settings can be confirmed by printing a menu map.



1. Press the **Online** button to return the printer to offline status.
2. Press the **Menu** button until the INFORMATION MENU is available.
3. Press the **Select** button until the display prompts you to print the menu map.
4. Press the **Select** button to print the menu map. The printer will return to online status when the menu map is printed.

CHANGING THE SETTINGS

5. Press the **Menu** button until the required menu is displayed, then press the **Select** button.
6. Press the **Item (+)** or **(-)** button until the required item is displayed.
7. Press the **Value (+)** or **(-)** button until the required value is displayed.
8. Press the **Select** button. Selection of the value will be confirmed by an asterisk (*) appearing to the right of it.
9. Press the **Online** button to return the printer to online status.

LIST OF MENU SETTINGS

Listed in the following tables are the available printer settings. The default settings for the printer are in **bold** text.

PRINT JOBS MENU

This menu is only available when the hard disk is installed.

ITEM	VALUE	DESCRIPTION
ENTER PASSWORD	****	Sets password using a four-digit number (0-9). This item is also displayed even when OP MENU "ALL CATEGORY" is set to DISABLE in the Admin. menu.
SELECT JOB	No jobs; All jobs; File name 1-nn	Selects printing job for secure printing. This item is also displayed even when OP MENU "ALL CATEGORY" is set to DISABLE in the Admin. menu.

INFORMATION MENU

ITEM	VALUE	DESCRIPTION
PRINT MENU MAP	Execute	Prints menu list.
PRINT FILE LIST	Execute	Prints job file list.
PRINT PCL FONT	Execute	Prints internal font lists.
PRINT PS FONT	Execute	
PRINT EPSON FX FONT	Execute	
PRINT GL/2 PALETTE GL/2	Execute	Prints a colour sample of the Menu select pen (only when HP-GL2 is valid).
PRINT DEMO1 TO 32	Execute	Prints demonstration page.
PRINT ERROR LOG	Execute	Prints error log.

TEST PRINT MENU

ITEM	VALUE	DESCRIPTION
PRINT ID CHECK PATTERN	Execute	Prints ID check pattern to detect bad ID. Displayed only if "TEST PRINT MENU" of the System Maintenance Menu is set to ENABLE.

SHUTDOWN MENU

ITEM	VALUE	DESCRIPTION
Shutdown start	Execute	Shut down sequence for the printer. Recommended to be used when the hard disk is fitted to prevent any loss of data.

PRINT MENU

ITEM	VALUE	DESCRIPTION
TRAY 1 MEDIA TYPE	Plain ; Letterhead; Transparency; Bond; Recycled; Card stock; Rough. User type 1–5	Selects the paper type for Tray 1. (Trays 2 and 3 only displayed if fitted). User type 1–5 are displayed only if registered in the host PC. If Media character strings are specified, these will be displayed instead.
TRAY 2 AND 3 MEDIA TYPE	Plain ; Letterhead; Transparency; Bond; Recycled; Card stock; Rough. User type 1–5	
TRAY 1, 2 AND 3 MEDIA WEIGHT	Auto; Light; Medium light; Medium ; Medium heavy; Heavy; Ultra heavy	Sets the paper weight for the selected paper tray. (Trays 2 and 3 only displayed if fitted.)
MP TRAY PAPERSIZE	A4 ; A5; A6; B5; Legal 14; Legal 13.5; Legal 13; Letter; Executive; Custom; Com-9 envelope; Com-10 envelope; Monarch envelope; DL Envelope; C5 Envelope; C4 Envelope	Sets the paper size for the multipurpose paper tray.
MP TRAY MEDIA TYPE	Plain; Letterhead; Transparency; Labels; Bond; Recycled; Card stock; Rough; User type 1–5	Selects the paper type for multipurpose paper tray. User type 1–5 are only displayed if they have been registered.
MP TRAY MEDIA WEIGHT	Auto ; Light; Medium light; Medium; Medium heavy; Heavy; Ultra heavy	Sets the paper weight for the multipurpose (MP) paper tray.
UNIT OF MEASURE	inches ; millimetres	Sets the units of measurement for custom paper size.
X DIMENSION	3in. to 8.5in 76– 210 –216mm	Sets the dimensions of custom paper. For these dimensions to work, the MP tray paper size must be set custom.
Y DIMENSION	5– 11 –47.2in. 127– 297 –1200mm	

COLOUR MENU

ITEM	VALUE	DESCRIPTION
AUTO DENSITY MODE	Auto ; Manual	<p>Select whether density adjustment and Toner Response Curve (TRC) compensation is automatic.</p> <p>Auto: Density adjustment is automatically run under specified conditions, and reflected in the TRC compensation.</p> <p>Manual: The printer does not voluntarily run density adjustment.</p>
ADJUST DENSITY	Execute	<p>If EXECUTE is selected, the printer will immediately adjust density and reflect it in the TRC compensation. Density adjustment must be executed when the printer is idling. It may become invalid if executed in any other state.</p>
COLOUR TUNING	Print pattern	<p>Prints the pattern for the user to adjust TRC. Ordinarily this function is not needed because TRC is automatically adjusted to the recommended levels through density adjustment and TRC compensation. This function permits TRC adjustment to your requirement by using the adjustment menu of HIGHLIGHT, MID-TONE, and DARK for each of CMYK. Adjustment results will be reflected as offset values (addition) to the corrections made through the Adjust Density/TRC Compensation function.</p>

ITEM	VALUE	DESCRIPTION
CYAN, MAGENTA, YELLOW OR BLACK HIGHLIGHT	+1,+2,+3, 0 ,-3,-2,-1	Adjusts HIGHLIGHT (light area), MID-TONE or DARK area of Cyan, Magenta, Yellow or Black TRC. (+) indicates adjustment toward a darker level, (-) toward lighter.
CYAN, MAGENTA, YELLOW OR BLACK MID-TONE	+1,+2,+3, 0 ,-3,-2,-1	
CYAN, MAGENTA, YELLOW OR BLACK DARK	+1,+2,+3, 0 ,-3,-2,-1	
CYAN, MAGENTA, YELLOW OR BLACK DARKNESS	+1,+2,+3, 0 ,-3,-2,-1	Adjusts Cyan, Magenta, Yellow or Black engine density. The Darkness settings for each CMYK value will be reflected as offset values (additions) to the corrections through the Adjust Density/TRC Compensation function.
ADJUST REGISTRATION	Execute	When this item is selected, the printer performs an Auto Adjust Registration. Must be executed in the idle state (Auto Registration OFF).
CYAN REGISTRATION – FINE ADJUST	+1,+2,+3, 0 ,-3,-2,-1	Makes a fine adjustment to image registration in Cyan, Magenta or Yellow against Black in the horizontal direction. The adjustment is reflected as an offset (addition) value to the corrections through Auto Colour Registration Correction. Values are adjusted in increments of 0.026 mm. Example: If the paper movement is upward and a value is increased (+) it means the image moves downward in relation to it.
MAGENTA REGISTRATION – FINE ADJUST	+1,+2,+3, 0 ,-3,-2,-1	
YELLOW REGISTRATION – FINE ADJUST	+1,+2,+3, 0 ,-3,-2,-1	

ITEM	VALUE	DESCRIPTION
INK SIMULATION	Off; Euroscale	The printer has its own process simulation generator which simulates standard colours in the printer. This function is enabled only with Postscript language jobs.
INK LIMIT	Dark; Medium; Light	Selects the limit of the toner layer thickness. If paper curl occurs in DARK printing, select MEDIUM or LIGHT. This sometimes helps reduce curl.
CMY 100% DENSITY	Disable; enable	Selects enable/disable 100% output against the CMY100% TRC compensation. Ordinarily, the TRC compensation function controls the appropriate print density; thus, 100% output is not always enabled. Selecting ENABLE will allow 100% output. In actual printing, the TCR values, too, are controlled by Colour Matching. This function is used for special purposes; for example, to specify the colour for CMYK colour space in PS.

SYSTEM CONFIGURATION MENU

ITEM	VALUE	DESCRIPTION
POWER SAVE DELAY TIME	5 min; 15 min; 30 min; 60 min; 240 min.	Sets the time before printer enters power save mode.
PERSONALITY	Auto emulation ; PCL; IBM PPR III XL; Epson FX; Adobe PostScript; HP-GL2	Selects the printer emulation language. Note: the only printer languages that can be selected are those enabled in the Personality section of the Maintenance menu.
USB PS-PROTOCOL	ASCII RAW	Specifies PostScript (PS) communication protocol mode of data from USB. (In RAW mode, Ctrl-T is invalid.)
IEEE 1394 PS PROTOCOL	ASCII RAW	Displayed only when IEEE1394 option board is installed. Specifies PS communication mode of data from IEEE1394. (In RAW mode, Ctrl-T is invalid).
NETWORK PS PROTOCOL	ASCII RAW	Specifies PS communication protocol mode of data. (In RAW mode, Ctrl-T is invalid.)
CLEARABLE WARNING	On ; Job	PCL emulation: Sets the time before deleting error messages. If On, press Error Delete switch to display error. If Job, error remains displayed until next print job is received. PS emulation: Error messages are only shown during job regardless of setting.
AUTO CONTINUE	On; Off	Sets the printer to automatically recover after a memory overflow or print overrun.

ITEM	VALUE	DESCRIPTION
MANUAL TIMEOUT	60 sec ; 30 sec; Off	Sets the time between requesting that paper is inserted and when the print job is cancelled should paper not be inserted. Only works in PostScript mode.
WAIT TIMEOUT	Off; 5- 90 -300 sec	Sets the time between receiving the last byte of data and the page being automatically ejected. Only works in PCL mode. In PS mode the job will be cancelled.
LOW TONER	Continue ; Stop	If set to CONTINUE, allows printing to continue when Low toner is displayed. If STOP is selected - when Low toner is displayed, the printer goes off line.
JAM RECOVERY	ON ; OFF	Sets whether or not printing will continue after a paper jam has been cleared. If set to OFF, the print job that was being printed when the paper jam occurred will be cancelled after clearing the paper jam. When set to ON, the print job will continue after the jam has been cleared.
ERROR REPORT	ON; OFF	When set to ON, prints an error report when internal error occurs. Only works in PostScript mode.
LANGUAGE	English ; German; French; Italian; Spanish; Swedish; Norwegian; Danish; Dutch; Turkish; Portuguese; Polish; Russian; Greek	Selects the printer display language.

PCL EMULATION

ITEM	VALUE	DESCRIPTION
FONT SOURCE	Resident ; Dimm0; Downloaded	Selects location of the PCL font used. Dimm0 is displayed only when font DIMM ROM exists in the slot. Downloaded only appears if fonts have been down loaded to the printer.
FONT NO.	1000 to 1083	Sets the PCL font number. The range of this variable changes depending on the FONT SOURCE setting at the time. If the default font is set for FONT SOURCE, the number starts at 0. If it is not, the number starts at 1. The maximum value is equal to the number of fonts installed in FONT SOURCE.
FONT PITCH	0.44- 10.00 -99.99cpi	Sets the font width in characters per inch. Only displayed if the font is a fixed spacing outline font.
FONT HEIGHT	4.00- 12.00 -999.75pt	Sets the font point size. Only displayed if the font is a relative spacing outline font.
SYMBOL SET	PC-8	Selects a PCL character symbol set.
A4 PRINT WIDTH	78 column ; 80 column	Selects the number of characters in a line before automatic return (A4paper), PCL mode.
WHITE PAGE SKIP	OFF ; ON	Selects whether or not to print pages that contain no data (white pages), PCL mode.

ITEM	VALUE	DESCRIPTION
CR FUNCTION	CR ; CR+LF	Sets functionality on receipt of CR code in PCL mode.
LF FUNCTION	LF ; LF+CR	Sets functionality on receipt of LF code in PCL mode.
PRINT MARGIN	Normal ; 1/5in; 1/6in	Sets unprintable paper area (margin). Normal: PCL emulation compatible 1/5 inch (5.1mm): domestic model emulation. 1/6 inch (4.2mm): HIPER-W emulation.
TRUE BLACK	ON; OFF	PCL: Sets whether to use Composite Black (CMYK mixed) or Pure Black (K only) for the black (100%) in image data. OFF: Mode using Composite Black ON: Mode using Pure Black (not valid with PostScript).

PPR EMULATION

ITEM	VALUE	DESCRIPTION
CHARACTER PITCH	10CPI ; 12CPI; 17CPI; 20CPI; PROPORTIONAL	Specifies character pitch in this emulation.
CHARACTER SET	Set 1; Set 2	Specifies a character set.
SYMBOL SET	IBM 437	Specifies a symbol set.
LETTER O STYLE	Disable ; Enable	Specifies the style that replaces 9BH with letter o and 9DH with a zero
ZERO CHARACTER	Normal ; Slashed	Sets the zero to be slashed or unslashed.
LINE PITCH	6 LPI ; 8 LPI	Specifies the line spacing.
WHITE PAGE SKIP	OFF ; ON	Specifies whether or not the printer ejects a blank sheet. Not available on duplex operation.
CR FUNCTION	CR ; CR+LF	Sets functionality on receipt of CR code.
LF FUNCTION	LF ; LF+CR	Sets functionality on receipt of LF code.
LINE LENGTH	80 COL ; 136 COL	Specifies the number of characters per line.
FORM LENGTH	11in ; 11.7in; 12in	Specifies the length of paper.
TOF POSITION	0.0in – 1.0in	Specifies the distance of print from the top edge of the paper.
LEFT MARGIN	0.0in – 1.0in	Specifies the distance of print from the left hand edge of the paper.
FIT TO LETTER	Disable ; Enable	Sets the printing mode that can fit print data, equivalent to 11 inches (66 lines), in the LETTER-size printable area.

ITEM	VALUE	DESCRIPTION
TEXT HEIGHT	Same; Diff	Sets the height of a character. SAME: Regardless of CPI, same height. DIFF: As CPI, character heights vary.

HP-GL/2 EMULATION

ITEM	VALUE	DESCRIPTION
PEN 0 - 15 WIDTH	0.0 – 12.0 mm Pen 0: 0.13 mm Pen 1: 0.18 mm Pen 2: 0.25 mm Pen 3: 0.35 mm Pen 4: 0.50 mm Pen 5: 0.65 mm Pen 6: 0.70 mm Pen 7: 0.80 mm Pen 8: 0.90 mm Pen 9: 1.0 mm Pen 10: 1.4 mm Pen 11: 2.0 mm Pen 12: 3.0 mm Pen 13: 5.0 mm Pen 14: 8.0 mm Pen 15: 12.0 mm	Specifies the width of Pen 0 - 15 for the menu palette to be used in GL/2 drawings. The specified width is invalid if PALETTE is not selected as PALETTE SOURCE, and the default pen width in this case is 0.35mm. This will not affect GL/2 mode in PCL.

ITEM	VALUE	DESCRIPTION
PEN 0 - 15 COLOUR	0.0 – 12.0 mm Pen 0: 0 Pen 1: 1 Pen 2: 2 Pen 3: 3 Pen 4: 4 Pen 5: 5 Pen 6: 6 Pen 7: 7 Pen 8: 8 Pen 9: 12 Pen 10: 19 Pen 11: 27 mm Pen 12: 35 mm Pen 13: 68 mm Pen 14: 100mm Pen 15: 255 mm	Specifies the colour of Pen 0 - 15 for the menu palette to be used in GL/2 drawings. The specified colour is invalid if PALETTE is not selected as PALETTE SOURCE. This will not affect GL/2 mode in PCL.
ORIGIN	Corner Centre	Specifies the origin in GL/2 drawings. This will not affect GL/2 in PCL. (The origin in GL/2 mode in PCL is in the lower-left corner.)
PEN 0 FUNCTION	White pen End plot	Specifies the designation of Pen 0 in GL/2 drawings. If END PLOT is set, the command to select PEN 0 will prompt printing, then ejecting. This will not affect GL/2 mode in PCL.
CHARACTER PITCH	6 CPI ; 9 CPI	Specifies the default size of characters in GL/2 drawings. This will not affect GL/2 mode in PCL.

ITEM	VALUE	DESCRIPTION
SELECT PAPER	Edit size; Plotsize all; Plotsize equip	<p>Specifies the method to determine the paper size in GL/2 drawings.</p> <p>EDITSIZE selected - the paper appropriate for the Edit Size in the menu will be selected.</p> <p>PLOTSIZE selected - the paper whose size is larger than, and closest to, the specified Plot Size value will be selected from all the useable paper (all) or those loaded in the printer (equip).</p> <p>This will not affect GL/2 mode in PCL.</p>

PARALLEL MENU

ITEM	VALUE	DESCRIPTION
PARALLEL	Enable ; Disable	Selects parallel (Centronics) interface.
BI-DIRECTION	Enable ; Disable	Selects bi-directional communication.
ECP	Enable ; Disable	Selects ECP mode.
ACK WIDTH	Narrow (0.5 μ s); Medium (1.0 μ s); Wide (3.0 μ s)	Sets ACK width for compatible reception.
ACK/BUSY TIMING	ACK-in-Busy ; ACK-while-Busy	Sets output order for ACK and BUSY during reception. ACK IN BUSY: BUSY=LOW to the end of the ACK pulse. ACK WHILE BUSY: BUSY=LOW to the Centre of the ACK pulse.
I-PRIME	3 μ S; 50 μ S; Disable	Sets or disables the i-Prime signal.
OFFLINE RECEIVE	Enable; Disable	When set to Enable, this function maintains reception without changing the interface signal, even though an alarm occurs. The interface stays open even if the operator panel Off-line switch is pressed. The interface issues a BUSY signal only when the receive buffer is full or when a service call occurs.

USB MENU

ITEM	VALUE	DESCRIPTION
USB	Enable ; Disable	Selects USB interface.
SOFT RESET	Enable ; Disable	Selects use of soft reset command.
OFFLINE RECEIVE	Enable; Disable	When set to Enable, this function maintains reception without changing the interface signal, even if an alarm occurs. The interface stays open even if the operator panel Off-line switch is pressed. The interface issues a BUSY signal only when the receive buffer is full or when a service call occurs.

IEEE1394 MENU

(Only displayed if IEEE 1394 is installed.)

ITEM	VALUE	DESCRIPTION
SPEED	S100; S200; S400	Sets the upper limit of transfer speed in communication layer. (S400: 400MB/Sec. or less). Display is in English only.
SBP2	Enable ; Disable	Enables/disables SBP2 protocol.

NETWORK MENU

ITEM	VALUE	DESCRIPTION
TCP/IP	Enable ; Disable	Selects TCP/IP protocol.
NETWARE	Enable ; Disable	Selects Netware protocol.
ETHERTALK	Enable ; Disable	Selects EtherTalk protocol.
NETBEUI	Enable ; Disable	Selects NetBEUI protocol.
FRAME TYPE	Auto; 802.2; 802.3 Ether-II; snap	Selects Ethernet frame type.
DHCP/BOOTP	Enable ; Disable	Selects whether selection of DHCP/BOOTP is automatic.
RARP	Enable ; Disable	Selects whether selection of RARP is automatic.
IP ADDRESS	xxx.xxx.xxx.xxx	Configures IP address of 12 numeric characters.
SUBNET MASK	xxx.xxx.xxx.xxx	Configures subnet mask of 12 numeric characters.
GATEWAY ADDRESS	xxx.xxx.xxx.xxx	Configures gateway address of 12 numeric characters.
PRINT SETTINGS	ON; OFF	Selects printing of network menu map.
INITIALISE	ON; OFF	Selects network initialisation.

MEMORY MENU

ITEM	VALUE	DESCRIPTION
Receive buff size	Auto ; 0.5MB; 1MB; 2MB; 4MB; 8MB; 16MB; 32MB	Sets the size of the receive buffer and will depend on the amount of memory installed in the printer.
RESOURCE SAVE	Auto ; Off; 0.5MB; 1MB; 2MB; 4MB; 8MB; 16MB; 32MB	Set the size of the font cache area and will depend on the amount of memory installed in the printer.
FLASH INITIALIZE	Execute	Initialises flash memory if fitted.
PS FLASH RESIZE	1Mb; 0.5Mb; 1.5Mb; 0Mb	Changes the size of the flash memory area. NOTE: Special data is stored in the Flash Memory, therefore you cannot specify 100%.

DISK MAINTENANCE MENU

ITEM	VALUE	DESCRIPTION
HDD INITIALIZE	Execute	Partitions hard disk and formats each partition.
PARTITION #1	Common; PCL ; PS	Sets usage of partition number 1.
PARTITION #2	Common ; PCL; PS	Sets usage of partition number 2.
PARTITION #3	Common; PCL; PS	Sets usage of partition number 3.
HDD FORMATTING	Partition 1; Partition 2; Partition 3	Formats specified partition.

SYSTEM ADJUST MENU

ITEM	VALUE	DESCRIPTION
X ADJUST	0.00 mm; +0.25 to +2.0 mm; - 2.0 to - 0.25 mm	Adjusts overall print position horizontally in 0.20 increments.
Y ADJUST	0.00 mm; +0.25 to +2.0 mm; - 2.0 to - 0.25 mm	Adjusts overall print position vertically in 0.20 increments.
DUPLEX X ADJUST	0.00mm; +0.25 to +2.0mm; -2.0 to -0.25mm	Adjusts overall print position of print face horizontally in 0.20mm increments.
DUPLEX Y ADJUST	0.00mm; +0.25 to +2.0mm; -2.0 to -0.25mm	Adjusts overall print position of print face vertically in 0.20mm increments.
TRAY 1 LEGAL 14	Legal 14; Legal 13.5	Sets tray legal paper size.
TRAY 2 LEGAL 14	Legal 14; Legal 13.5	
TRAY 3 LEGAL 14	Legal 14; Legal 13.5	
PCL TRAY 2 ID#	1- 5 -59	Sets tray 2 number for PCL emulation. (Only displayed if trays are fitted).
PCL TRAY 3 ID#	1- 20 -59	
PCL MP TRAY ID#	1- 4 -59	Sets MP tray number for PCL emulation.

MAINTENANCE MENU

ITEM	VALUE	DESCRIPTION
EEPROM RESET	Execute	Initialises EEPROM for each unit.
SAVE MENU	Execute	Saves the current menu settings.
RESTORE	Execute	Reverts to stored menu settings. (Only displayed if there are saved menu settings).
POWER SAVE	Enable ; Disable	Selects power save mode when no input is received for a specified time. See also System adjust menu.
PAPER BLACK SETTING	+1; +2; 0 ; -2; -1	Adjusts printing to compensate for quality deterioration resulting from temperature differences when printing on paper.
PAPER COLOUR SETTING	+1; +2; 0 ; -2; -1	
TRANSPR BLACK SETTING	+1; +2; 0 ; -2; -1	Adjusts printing to compensate for quality deterioration resulting from temperature differences when printing on transparencies.
TRANSPR COLOUR SETTING	+1; +2; 0 ; -2; -1	

USAGE MENU

ITEM	VALUE	DESCRIPTION
Total page count	nnnnnn	Shows total number of pages printed.
Tray 1 page count	nnnnnn	Shows number of pages printed from each tray. (Only installed trays are displayed.)
Tray 2 page count	nnnnnn	
Tray 3 page count	nnnnnn	
MP tray page count	nnnnnn	
COLOUR PAGE COUNT	nnnnnn	Number of colour and monochrome pages printed.
MONOCHROME PAGE COUNT	nnnnnn	
BLACK DRUM LIFE	Remaining nnn%	Displays the remaining life of these items as a percentage.
CYAN DRUM LIFE	Remaining nnn%	
MAGENTA DRUM LIFE	Remaining nnn%	
YELLOW DRUM LIFE	Remaining nnn%	
BELT LIFE	Remaining nnn%	
FUSER LIFE	Remaining nnn%	
BLACK TONER	15K = xxx%; 7.5K = xxx%	Displays toner remaining.
CYAN TONER	15K = xxx%; 7.5K = xxx%	
MAGENTA TONER	15K = xxx%; 7.5K = xxx%	
YELLOW TONER	15K = xxx%; 7.5K = xxx%	

ADMINISTRATOR MENU

(Only system administrators have access to this menu.)

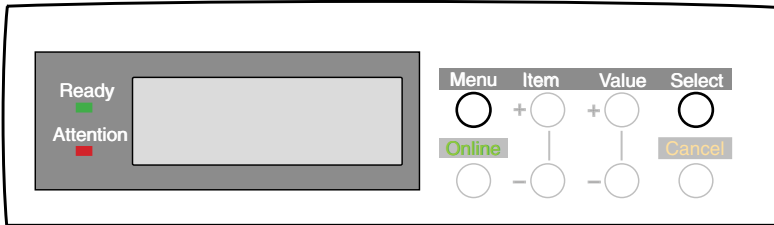
In order to enter this menu, turn on the printer while holding down the **Item + / Item -** buttons.

ITEM	VALUE	DESCRIPTION
ALL CATEGORY		Enable/Disable all categories of User Menu. Set to Disable, the User Menus are not shown except the PRINT JOB MENU. Panel Lock is still available.
PRINT JOBS MENU	Enable/Disable	Enable/Disable PRINT JOBS MENU. Set to Disable, PRINT JOBS MENU is not displayed. (PRINT JOB MENU is displayed when this MENU setting is set to ENABLE even when ALL CATEGORY is set to DISABLE.)
INFORMATION MENU	Enable/Disable	Enable/Disable indicated menu. Set to Disable, relevant menu is not displayed.
SHUTDOWN MENU	Enable/Disable	
PRINT MENU	Enable/Disable	
MEDIA MENU	Enable/Disable	
COLOUR MENU	Enable/Disable	
SYSTEM CONFIG MENU	Enable/Disable	
PCL EMULATION MENU	Enable/Disable	
PPR EMULATION MENU	Enable/Disable	
FX EMULATION MENU	Enable/Disable	
PARALLEL MENU	Enable/Disable	
USB MENU	Enable/Disable	
IEEE 1394 MENU	Enable/Disable	
NETWORK MENU	Enable/Disable	

ITEM	VALUE	DESCRIPTION
MEMORY MENU	Enable/Disable	<p>Enable/Disable indicated menu.</p> <p>Set to Disable, relevant menu is not displayed.</p>
DISK MAINTENANCE	Enable/Disable	
SYSTEM ADJUST MENU	Enable/Disable	
MAINTENANCE MENU	Enable/Disable	
USAGE MENU	Enable/Disable	
COLOUR MENU	Execute	<p>This is the menu to reset the TRC data that had been stored (retained for tracking).</p> <p>For example, correct values could not be taken due to "out of order" situation.</p> <p>This is mainly for maintenance purposes and not ordinarily used.</p>
BLOCK DEVICE MENU	Initialise lock – YES; NO	<p>Enable/Disable setting changes that involve Block Device (HDD, FLASH) initialisation.</p> <p>If set to YES, the operator panel does not show FLASH INITIALISE ITEM and PS FLASH RESIZE ITEM in DISK MAINTENANCE and MEMORY MENU.</p>
PEAK POWER CONTROL	Normal/Low	Sets PEAK POWER CONTROL.

SWITCHING OFF

In normal circumstances the power save facility should be used to avoid having to switch the printer off. However if you do wish to switch the printer off manually, please carry out the following procedure:



CAUTION!

NEVER turn the printer off while it is printing.

If the optional hard disk has been fitted, The following procedure **MUST BE FOLLOWED** before turning off to protect any data that is stored on the hard disk.

It is recommended that you follow this shutdown procedure each time the printer is switched off for any reason.

After switching the printer **OFF**, wait at least **10 seconds** before switching it **ON** again. This allows the internal power levels to drop. Switching on too soon could cause the printer to malfunction.

1. Press the **Menu** button until the SHUTDOWN MENU is displayed, then press the **Select** button.
2. Press the **Select** button again to EXECUTE the shutdown sequence.
3. When the display indicates that shutdown is complete, turn the printer off using the power switch.

INTERFACES

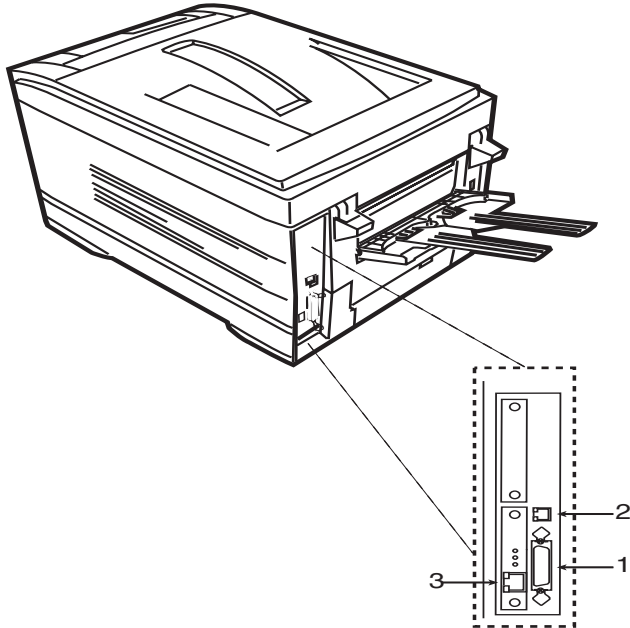
Your printer is equipped with a selection of data interfaces:

1. **Parallel** – For direct connection to a PC. This port requires a bi-directional (IEEE 1384 compliant) parallel cable.
2. **USB** – For connection to a PC running Windows 98 or above (not Windows 95 upgraded to Windows 98) or Macintosh. This port requires a cable conforming to USB version 2.0 or above.

The operation of a printer is not assured if a USB compatible device is connected concurrently with other USB-compatible machines.

When connecting multiple printers of the same type, they appear as ***** (1), ***** (2), ***** (3), etc. These numbers depend on the order of connecting or turning on each printer.

3. **Ethernet** – For network cable connection. This port is standard on all “n” models, optional on others.



- > If you are connecting your printer directly to a stand alone computer proceed to the Chapter headed "Printer Drivers".
- > If your printer is to be installed as a network printer, please refer to the relevant section in the Network Guide for further details on how to configure the network connection, before installing the printer drivers.

NOTE

Administrator's authority is required when installing using a network connection.

PRINTER DRIVERS

CD1 contains the printer drivers. Please refer to the readme file on this CD for the latest information on printer driver installation.

Built into the Oki driver is a special Ask Oki tab. If you have Internet access from your computer this tab provides access to a wealth of help and support specific to your printer in a specially designed web page available in a wide range of languages.

WHICH PRINTER DRIVER?

Your printer comes with Windows drivers for PCL and PostScript (PS). You can install either of these, or both if you wish. Which driver you choose depends on your application.

- > If you use TrueType fonts and you do not print PostScript (including ".eps" files) graphics, choose the PCL driver. This will be more efficient and give good results. The PCL driver is recommended for most general office applications.
- > If you use PostScript fonts or you will be printing PostScript graphics, choose the PostScript driver. In this situation performance will be faster and graphics will be printed at their best quality. The PostScript driver is recommended for desktop publishing applications.

NOTE

The line art graphics in this manual are PostScript. So if you plan to print parts of this manual choose the PostScript driver. Otherwise the line art graphics will only print at low resolution.

If your applications vary so much that neither driver seems to cover all your needs, you could choose to install both. Then select the one you plan to use most of the time to be your Windows default driver. Most applications allow you to choose a different printer from within the print dialogue, so you can print using the alternative driver whenever you need to. If you install both drivers, simply select the same printer port (LPT1, USB or Network Port) during the installation.

If you wish, you can download a PCL XL (PCL6) driver from the website **<http://www.okieurope.com>**. Using this can result in smaller print files, faster print speed and more accurate reproduction of the original computer file. However, booklet

printing, poster printing, overlay and watermark features are only available when using the supplied PCL 5c driver.

INSTALLING A PRINTER DRIVER

- 1.** With Windows running, insert the printer driver CD-ROM (CD1) into your CD-ROM drive.
- 2.** If the CD does not run automatically, use [Start]-[Run...] and enter **E:\setup** (where E is your CD-ROM drive) in the Open field.
- 3.** Click on **[OK]**.

The setup program will give you a number of options, such as changing the printer operator panel language and making a test print to ensure that your printer is operating correctly.

- 4.** Click on [Driver Installation] then [Install Printer Driver] and follow the on-screen prompts to complete your printer driver installation.

NOTE

- > *Take time to note the facilities available on the CD. For example, the Help facility briefly describes each of the Software Utilities.*
- > *Network connection provides Printer driver tabs additional to those for Local connection.*

PRINTER DRIVER NETWORK EXTENSION

Available on TCP/IP network connection only.

The printer driver network extension facility is only available if your printer has been installed using the driver installer program on the drivers CD.

On selecting [Get Printer Settings], it queries the printer driver for the installed hardware options and enables the appropriate settings.

The printer driver network extension allows you to view (but not change) the status of the following on the Status or Device Options tabs:

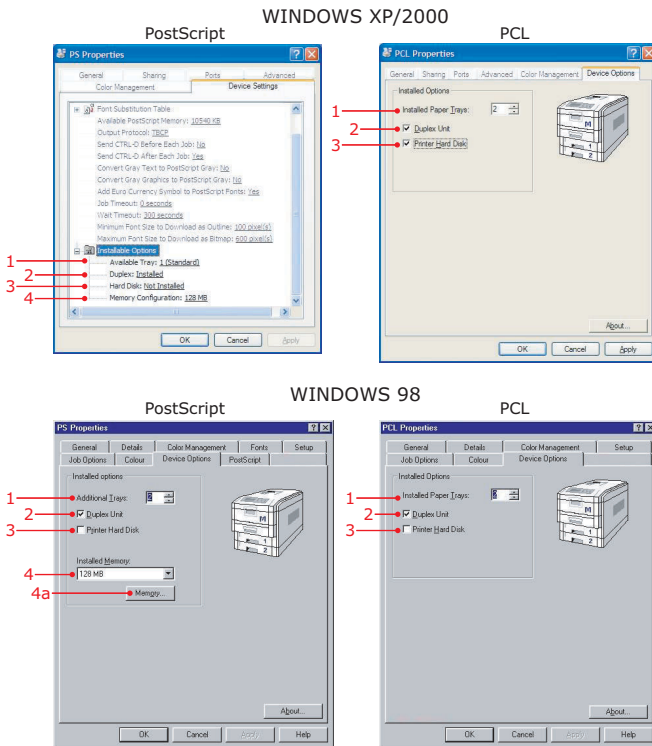
- > paper trays installed and the media assigned to them.
- > total size and percentage used of disk/memory.
- > percentage of toner remaining.

INSTALLED OPTIONS

This section explains how to adjust the printer driver settings to take advantage of any installed optional hardware.

Installed printer drivers appear in the “Printers” window of your computer. This window can normally be opened via the Start menu or from the Windows Control Panel. (If necessary, refer to your Windows documentation).

To access the printer properties, right-click on the appropriate printer driver icon and choose **Properties** from the pop-up menu.



1. Number of trays installed. (Not including the multipurpose tray on the front).
2. Duplex unit for double-sided printing.
3. Internal hard disk drive.

4. Memory installed in the printer.

NOTE

The Memory button in the Windows 98 PS driver is provided to allow the amount of available PostScript memory and font cache size to be adjusted. The driver automatically adjusts these values when the installed memory size is set, and they should not normally need further adjustment.

PAPER FEED, SIZE AND MEDIA – DEFAULTS

The preferred setup for these items is Automatic.

However, they can be set manually, as follows.

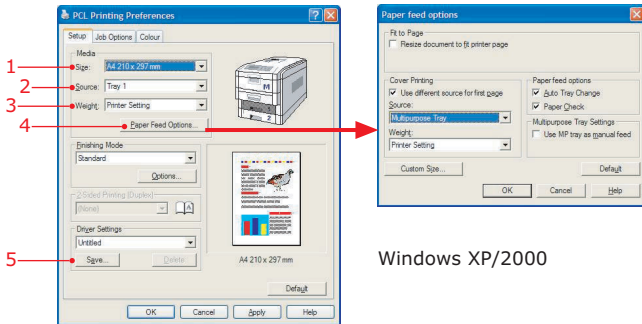
The following printer driver instructions are given as a guide only. Some software applications require the paper feed, size and media settings to be selected from within the software (usually under Page Setup).

Installed printer drivers appear in the “Printers” window of your computer. This window can normally be opened via the **Start** menu or from the Windows Control Panel. (If necessary, refer to your Windows documentation).

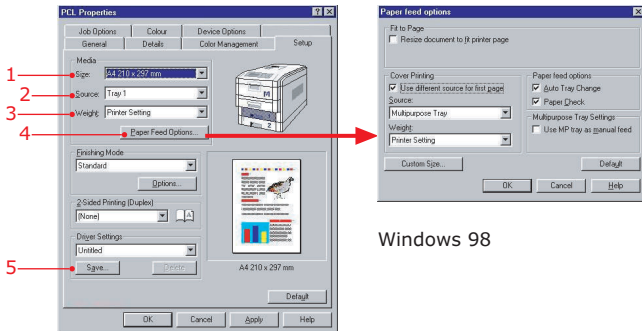
The illustrations in this chapter show the dialogues for Windows XP and Windows 98. The dialogues for Windows 2000 are virtually identical to those for Windows XP, and those for Windows NT are very similar.

To access the printer properties right-click on the appropriate printer driver icon and choose **Printing Preferences** (Windows XP/2000) or **Properties** (Windows 98) from the pop-up menu.

SETTING MEDIA DEFAULTS WITH THE PCL DRIVER



Windows XP/2000

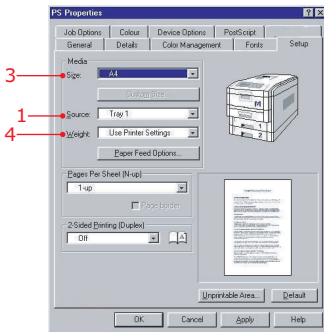
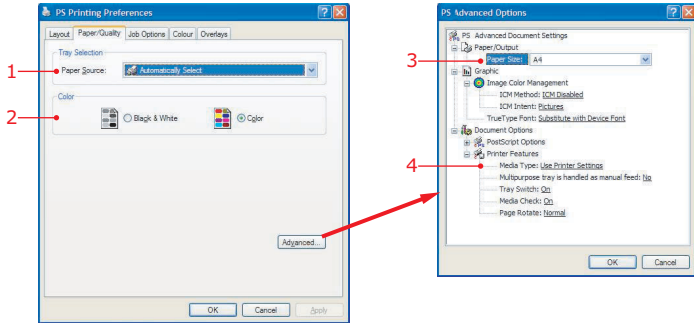


Windows 98

1. Choose the paper size you will print on.
2. Choose which tray you wish to feed from. You can also select a tray by clicking on it in the graphic image.
3. Select the type of media you will print on. This item is only visible when a specific tray has been chosen.
4. This button opens the second dialogue illustrated. From here you could choose to print the first page of your document on different media, for example your company letterhead. For many applications you can save much time and effort by loading different media in each tray and using this powerful feature.
5. Save your most commonly used settings in a special settings file for instant recall.

SETTING MEDIA DEFAULTS WITH THE POSTSCRIPT DRIVER

Windows XP/2000



Windows 98

1. Choose which tray you want to feed paper from.
2. Choose whether you want to print your document in black and white or colour.
3. In the Advanced dialogue, choose the paper size in the selected tray.
4. Choose the type of media on which you will print.

NOTE

Items set to use "Printer Settings" will use the settings from the menus actually on the printer.

COLOUR PRINTING

The PCL and PostScript printer drivers supplied with your C7350 provide several controls for changing the colour output of your printer. For general use the **Auto** settings will suffice, providing reasonable default settings that will produce good results for most documents.

Many applications have their own colour settings, and these may override the settings in the printer driver. Please refer to the documentation for your software application for details on how that particular program's colour management functions.

FACTORS THAT AFFECT THE APPEARANCE OF PRINTS

If you wish to manually adjust the colour settings in your printer driver, please be aware that colour reproduction is a complex topic, and there are many factors to take into consideration. Some of the most important factors are listed below.

Differences between the range of colours a monitor or printer can reproduce

Neither a printer nor a monitor is capable of reproducing the full range of colours visible to the human eye. Each device is restricted to a certain range of colours. Furthermore, a printer cannot reproduce all of the colours displayed on a monitor, and vice versa.

Both devices use very different technologies to represent colour. A monitor uses Red, Green and Blue (RGB) phosphors (or LCDs), a printer uses Cyan, Yellow, Magenta and Black (CMYK) toner or ink.

A monitor can display very vivid colours such as intense reds and blues, which cannot be easily produced on any printer using toner or ink. Similarly, some printed colours (some yellows for example) cannot be displayed accurately on a monitor. This disparity between monitors and printers is often the main reason that printed colours do not match the colours displayed onscreen.

Viewing conditions

A print can look very different under different lighting conditions. For example, the colours in a print may look different when

viewed standing next to a sunlit window, compared to how they look under standard office fluorescent lighting.

Printer driver colour settings

The driver settings for Manual colour can change the appearance of a print. There are several options available to help match the printed colours with those displayed onscreen. These options are explained in subsequent sections of this Manual.

Monitor settings

The brightness and contrast controls on your monitor can change how your document looks on-screen. Additionally, your monitor colour temperature influences how “warm” or “cool” the colours look.

NOTE

Several of the Colour Matching options make reference to your monitor's Colour Temperature. Many modern monitors allow the colour temperature to be adjusted using the monitor's control panel.

There are several settings found on a typical monitor:

- > 5000k Warmest; yellowish lighting, typically used in graphics arts environments.
- > 6500k Cooler; approximates daylight conditions.
- > 9300k Cool; the default setting for many monitors and television sets.

(k = degrees Kelvin, a measurement of temperature)

How your software application displays colour

Some graphics applications such as Corel Draw or Adobe Photoshop may display colour differently from “office” applications such as Microsoft Word. Please see your application's online help or user manual for more information.

Paper type

The type of paper used can also significantly affect the printed colour. For example, a printout on recycled paper can look duller than one on specially formulated glossy paper.

CHOOSING A COLOUR MATCHING METHOD

There is no correct way to achieve a good match between the document displayed on your monitor and its printed equivalent. There are many factors involved in achieving accurate and reproducible colour.

However, the following guidelines may help in achieving good colour output from your printer. There are several suggested methods, depending on the type of document you are printing.

NOTE

These suggestions are for guidance only. Your results may vary depending on the application from which you are printing. Some applications will override any colour matching settings in the printer driver without warning.

RGB OR CMYK?

The guidelines for choosing a colour matching method make distinctions between Red, Green, Blue (RGB) and Cyan, Magenta, Yellow, Black (CMYK).

Generally, most documents you print will be in RGB format. This is the most common, and, if you do not know your document's colour mode, assume that it is RGB.

Typically CMYK documents are only supported in professional Desktop Publishing and Graphics applications.

MATCHING PHOTOGRAPHIC IMAGES

RGB only

Oki Colour Matching is a generally a good choice. Select a matching method appropriate to your monitor.

RGB or CMYK

If you are printing photographic images from a graphics application such as Adobe Photoshop, you may be able to use Soft-Proofing to simulate the printed image on your monitor. To do this, you can use the ICC-Profiles provided on the Drivers CD, and then print using the ICC profiles as the Print (Output) Space.

MATCHING SPECIFIC COLOURS

You may sometimes need to match a printed colour accurately to other printed material. For example, the colour of a company logo may need rendered accurately.

RGB only

- > **Oki Colour Matching**, and the **sRGB** setting (PCL or PS driver).
- > **PostScript Colour Matching** using the Absolute Colorimetric option (PS driver only).
- > Use the **Colour Swatch** Utility to print out a chart of RGB swatches and enter your desired RGB values in your application's colour picker (PCL driver only).

RGB or CMYK

If you are printing from a graphics application such as Adobe Photoshop, you may be able to use Soft-Proofing to simulate the printed image on your monitor. To do this, you can use the ICC-Profiles provided by Oki, and then print using the ICC profiles as the Print Space (or Output space) (PS only).

Alternatively, use PostScript Colour Matching with the Absolute Colorimetric setting.

PRINTING VIVID COLOURS

RGB only

Use Oki Colour Matching, with either the Monitor 6500K Vivid, sRGB or Digital Camera settings (PCL or PS).

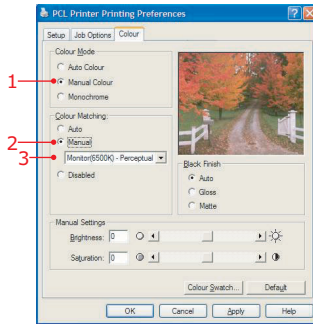
RGB or CMYK

Use PostScript Colour Matching with the Saturation option (PS driver).

COLOUR MATCHING WITH THE PCL DRIVER

The Colour Matching options in the PCL driver are designed to work with RGB data, and are suited to most general office applications.

- > In the **Printers** window, right-click on the appropriate printer icon and choose **Printing Preferences** (Windows XP/2000) or **Properties** (Windows 98), then select the **Colour** tab.



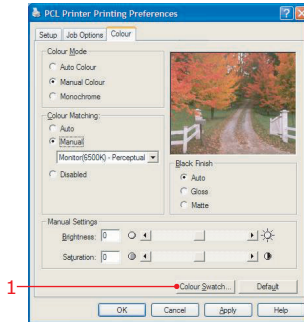
1. Choose Manual colour.
2. Choose Manual colour matching.
3. Choose from the following options:

Monitor (6500k) perceptual	Optimised for printing photographs when using a monitor with a colour temperature of 6500K.
Monitor (6500K) vivid	Optimised for printing bright colours when using a monitor with a colour temperature of 6500K. Ideal for office graphics.
Monitor (9300K)	Optimised for printing photographs when using a monitor with a colour temperature of 9300K.
Digital camera	Optimised for printing photographs taken with a digital camera. This tends to produce prints with lighter and brighter colours. For some photographs, other settings may be better depending on the subjects and the conditions under which they were taken.
sRGB	Optimised for matching specific colours, such as a company logo colour. The colours within the printer's colour gamut are printed without any modification, and only colours that fall outside the printable colours are modified.

USING THE COLOUR SWITCH

The Print Colour Swatch function allows you to print out charts that contain a range of sample colours. Listed below each sample colour are the corresponding RGB (Red, Green, Blue) values. This can be used to pick specific colours in applications that allow you to choose your own RGB values.

Use this feature to match your output to a specific printed colour, where the colour displayed on your monitor is not so important



1. Print a colour swatch, then select the colour that best suits your needs.
2. Take a note of the RGB value below your chosen colour.
3. Using your program's colour picker, enter these same RGB values (from step 2), and change the item to that colour.

NOTE

The RGB colour displayed on your monitor may not necessarily match what was printed on the colour swatch. If this is the case, it is probably due to the difference between how your monitor and printer reproduce colour.

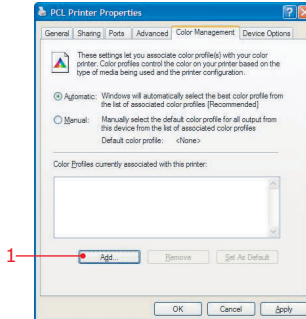
COLOUR MANAGEMENT WITH THE PCL DRIVER

This function allows you to install alternative colour profiles for your printer. A colour profile is a special file which contains colour data about your printer to help the computer make necessary conversions from the image source (monitor, digital camera, scanner) colour space to that of your printer.

The Drivers CD supplied with your printer contains a selection of colour profiles designed to describe the colour characteristics of your printer for a variety of print media.

To install these files and associate them with the printer driver:

- > Right-click the appropriate printer icon in the Printers window, and choose **Properties** from the pop-up menu.



1. Click the **Add...** button and navigate to the **Profiles** directory on the CD.
2. Navigate down to the subdirectory for your version of Windows.
3. Click on any profile whose file name implies that it is associated with this printer. If there is more than one, hold down the **Ctrl** key and click all relevant files.
4. Click the **Add** button to install all selected files and associate them with this driver.
5. Click **OK** to save your settings and close the Properties window.

COLOUR MATCHING WITH THE POSTSCRIPT DRIVER

The PostScript driver offers several different methods of controlling the colour output of the printer.

Some of the colour matching options only work on certain types of data. The table below summarises the various colour-matching options available in the PostScript driver, and what types of data they affect.

COLOUR MATCHING OPTION	RGB DATA	CMYK DATA
Oki Colour Matching	Yes	No
PostScript Colour Matching	Yes	Yes
CMYK Ink Simulation	No	Yes
Windows ICM Matching ^a	Yes	No
Using ICC Profiles	Yes	No

a. Not Windows NT 4

OKI COLOUR MATCHING

This is a proprietary colour matching system, and affects RGB data only. Of the colour match options, *Perceptual* settings are best for printing photographic images; *Vivid* or *Digital Camera* settings produce brightest colours and *sRGB* is the best choice for matching specific colours (such as printing logos)

Three monitor temperatures are available to help you match the displayed colours with those printed.

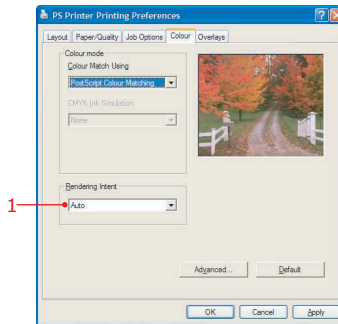
Monitor (6500k) perceptual	Optimised for printing photographs.
Monitor (6500K) vivid	Optimised for printing bright colours. Ideal for office graphics.
Monitor (9300K)	Optimised for printing photographs.
Digital camera	Optimised for printing photographs taken with a digital camera. This tends to produce prints with lighter and brighter colours. For some photographs, other settings may be better depending on the subjects and the conditions under which they were taken.

sRGB

Optimised for matching specific colours, such as a company logo colour. The colours within the printer's colour gamut are printed without any modification, and only colours that fall outside the printable colours are modified.

POSTSCRIPT COLOUR MATCHING

This uses PostScript Colour Rendering Dictionaries built-in to the printer, and affects both RGB and CMYK data.



Rendering Intents

When a document is printed, a conversion takes place from the document's colour space to the printer colour space. The rendering intents (1) are essentially a set of rules that determine how this colour conversion takes place.

The rendering intents provided are listed below:

Perceptual	Best choice for printing photographs. Compresses the source gamut into the printer's gamut whilst maintaining the overall appearance of an image. This may change the overall appearance of an image as all the colours are shifted together.
Saturation	Best choice for printing bright & saturated colours if you don't necessarily care how accurate the colours are. This makes it the recommended choice for graphs, charts, diagrams etc. Maps fully saturated colours in the source gamut to fully saturated colours in the printer's gamut.

Absolute Colorimetric	Best for printing solid colours and tints, such as Company logos etc. Matches colours common to both devices exactly, and clips the out of gamut colours to their nearest printed equivalent. Tries to print white as it appears onscreen. The white of a monitor is often very different from paper white, so this may result in colour casts, especially in the lighter areas of an image.
Relative Colorimetric	Good for proofing CMYK colour images on a desktop printer. Much like Absolute Colorimetric, except that it scales the source white to the (usually) paper white; i.e. unlike Absolute Colorimetric, this attempts to take the paper white into account.

No COLOUR MATCHING

This option switches all colour matching off but allows you to use **CMYK Ink Simulation**. This method affects CMYK data only, and simulates what the output will look on a printing press using the ink types SWOP, Euroscale or Toyo.

WINDOWS ICM COLOUR MATCHING

- > Windows 98, Me, 2000, XP only.
- > Affects RGB data only.
- > ICM is the colour management system built-in to Windows.

Windows ICM uses ICC profiles for your monitor and printer; these profiles describe the colours that your device is capable of reproducing. ICC profiles can be associated with your printer via the **Colour Management** tab of the printer driver. The procedure is similar to that described for the PCL driver earlier in this chapter.

Depending on how you have installed the printer driver, the colour profiles may already be associated with the driver.

Windows ICM uses the information in these profiles to convert colours in your documents to colours that the printer can reproduce. The way in which this conversion is performed can be controlled via the **ICM Intent** control in the printer driver.

NOTE

Oki also provides an alternative to Windows ICM with the Colour Match using ICC Profiles feature. This is similar to Windows ICM, but offers several additional features.

USING ICC PROFILES

This method affects RGB data only. Using ICC profiles provides a method of matching RGB colours similar to Windows ICM matching. The main advantage it has over Windows ICM colour matching is that it provides a means of using both input and output profiles. Windows ICM matching only allows output profiles to be chosen.

Input profiles provide information about the colour in the original device that was used to capture or display the image data. For example, an input device could be a scanner, digital camera, or monitor.

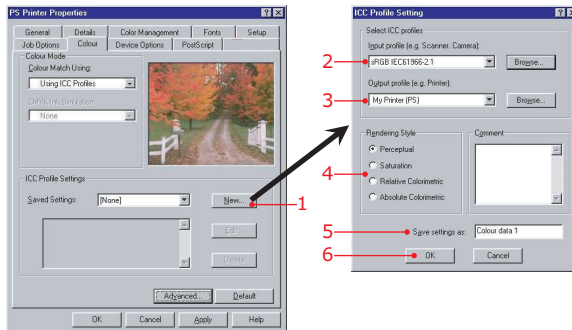
Output profiles provide information about the device to which you are printing.

The Using ICC Profiles function allows both an input profile (e.g. digital camera), and an output profile (e.g. the C7350 printer) to be selected. It uses both these profiles to generate a CRD (Colour Rendering Dictionary), and this is used to match the colours as closely as possible.

NOTE

This feature may not work for all application programs. However, many professional graphics applications offer a similar feature in their print settings, with the ability to choose a source (input) colour space, and a print (output) colour space.

The following illustrations are taken using Windows 98. Other Windows versions are quite similar.



1. Click the **New...** button to create a new setting for your application.

2. Choose an input profile that matches your image source device.
3. Choose an output profile for your printer.
4. Choose a rendering style (see “rendering intents” under “PostScript Colour Matching” earlier).
5. Choose a meaningful name for these settings. This will allow you to recall them whenever you need them.
6. Click **OK** to save your settings.

PANTONE® COLOUR MATCHING

If you create graphics images on your computer using Pantone spot colours, this option uses the built in Pantone tables to provide the best match. Again, the match between colours displayed on your monitor and those printed will very much depend on your monitor’s capabilities.

OPERATION

The earlier section on Printer Drivers explained how to set up the default operation of the various features. These were accessed via the Windows program.

This section explains how to change the printer's operation for specific print jobs when required.

This involves using the same Properties page of the printer driver, but it is accessed directly from within your Windows application program.

In this view the driver properties page may be more simplified than the illustrations here, showing only those settings that you wish to adjust.

Most applications allow the printer properties to be accessed from within the document print dialogue.

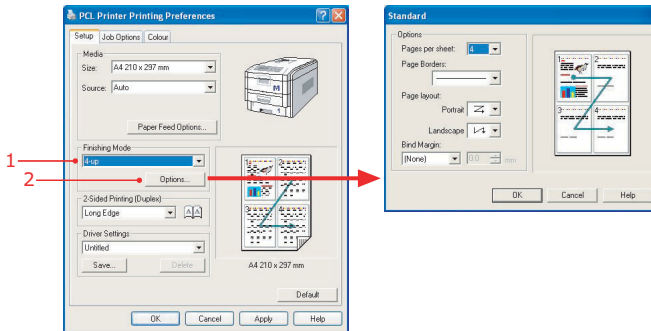
MULTIPLE PAGES ON ONE SHEET

PCL DRIVER

1. Select the number of pages (maximum 16) per sheet.
2. Click on the **Options** button and select the required page border, layout and margins.

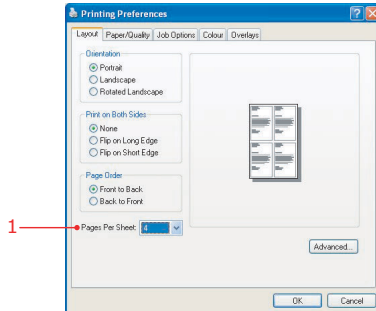
NOTE

Since the PCL windows for all Windows versions are similar, only the Windows XP PCL windows are shown.

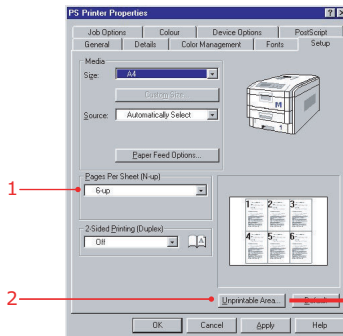


POSTSCRIPT DRIVER

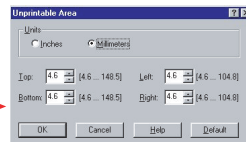
1. Select the number of pages per sheet.
2. Click on the **Unprintable area** button and set the margins.



WINDOWS XP/2000



WINDOWS 98



CUSTOM PAGE SIZES

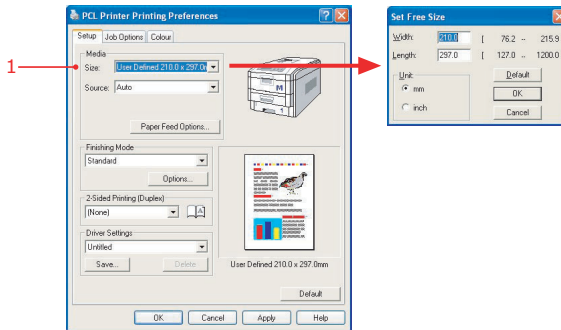
Custom page sizes can be printed from tray 1 and the multi purpose tray (manual feed). The printer setting for the multi purpose tray must be manually set to custom paper size before use. Width of a custom page size can be from 76.2 mm to 216 mm and length from 127 mm to 1200 mm.

PCL DRIVER

1. Select **User Defined** and enter the width and length measurements in the pop-up box.

NOTE

Since the PCL windows for all Windows versions are similar, only the Windows XP PCL windows are shown.



OR

To save settings for later use:

1. On the **Setup** tab, select **Paper Feed Options**, then the **Custom Size** button.
2. Enter the relevant information in **Width** and **Height** and give your document size a name in **Name**.
3. Click on the **Add** button to add this format to the list.
4. Click on **OK** sufficient times to close the printer dialogue box.

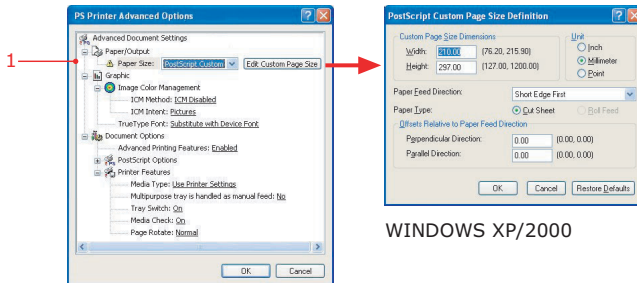
NOTE

The Custom Page Size is added to the bottom of the Paper Size list. Up to 32 Custom Page Sizes can be defined.

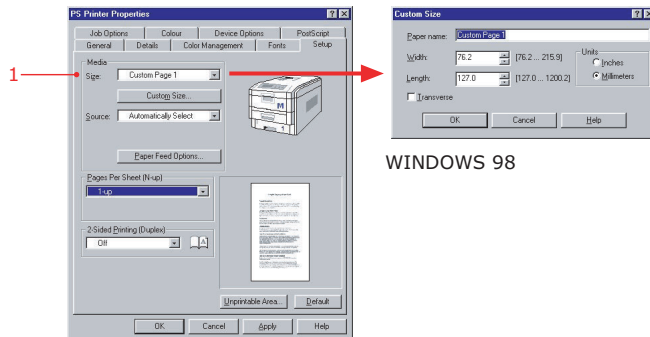
POSTSCRIPT DRIVER

For Windows XP/2000

1. Click on the **Paper/Quality** tab.
2. Click on the **Advanced...** button.
3. Select **Custom Page Size** and enter the width, length and other parameters in the pop-up box.



WINDOWS XP/2000



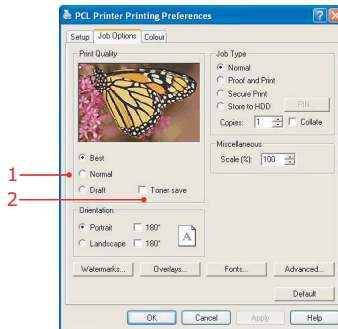
WINDOWS 98

PRINT RESOLUTION

1. Select the required print resolution.
2. Set **Toner Save** if required.

NOTE

Since the PCL and PostScript windows for all Windows versions are similar, only the Windows XP PCL window is shown.



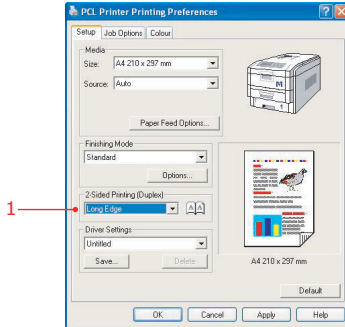
DUPLEX PRINTING

Duplex printing can only be carried out on standard paper sizes and paper weights between 75 and 105 g/m².

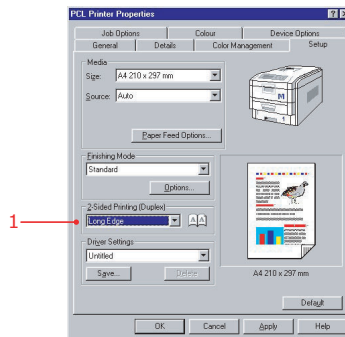
The optional duplex unit must be fitted to the printer and enabled before duplex printing can be carried out.

PCL DRIVER

1. Select long-edge or short-edge binding.



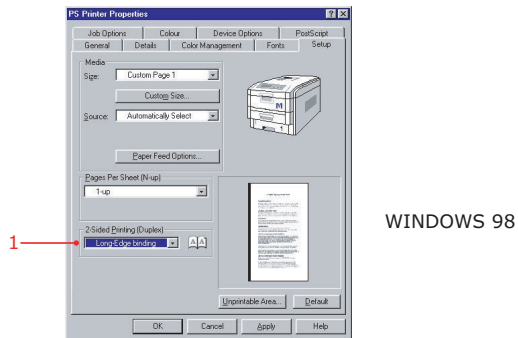
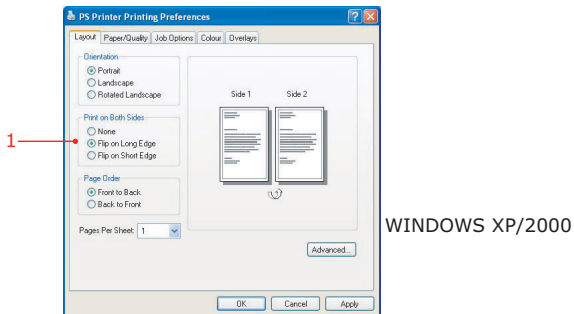
WINDOWS XP/2000



WINDOWS 98

POSTSCRIPT DRIVER

1. Select long-edge or short-edge binding.



PRINTING BOOKLETS

The optional duplex unit must be fitted to the printer and enabled before booklet printing can be carried out.

Some software applications may not support booklet printing.

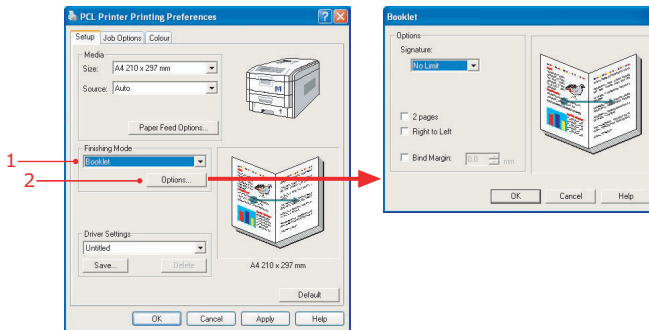
The right-to-left setting allows a booklet to be printed for right to left reading, which is used in some languages.

PCL DRIVER

1. Select booklet printing.
2. Click on the **Options...** button and set booklet details.

NOTE

Since the PCL windows for all Windows versions are similar, only the Windows XP PCL windows are shown.

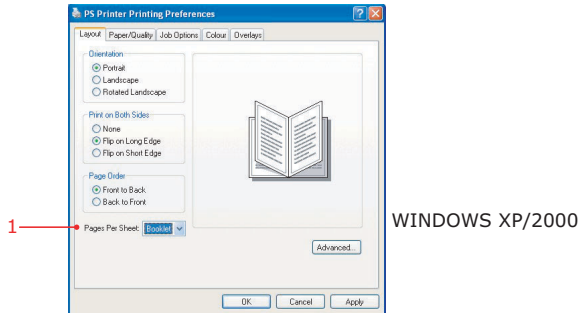


POSTSCRIPT DRIVER

NOTE

The Windows 98 PostScript driver does not support booklet printing.

1. Select booklet printing.



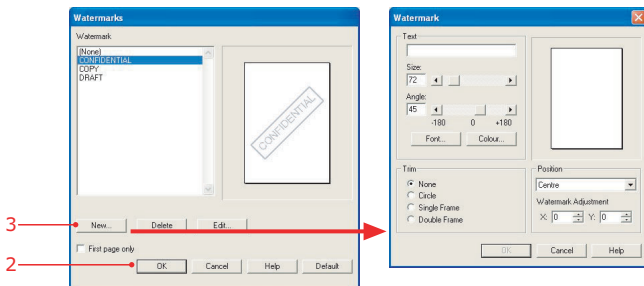
PRINTING WATERMARKS

PCL DRIVER

1. Click on the **Watermark** button on the **Job Options** tab.
2. Select a watermark from the list and click **OK**.
3. To create a new watermark or edit an existing watermark and specify its properties, click **New** or **Edit** respectively.

NOTE

Since the PCL windows for all Windows versions are similar, only the Windows XP PCL windows are shown.

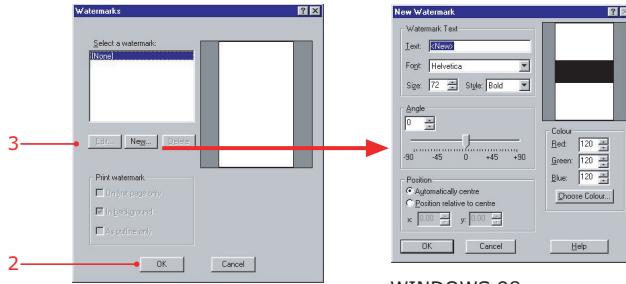


POSTSCRIPT DRIVER

NOTE

The Windows XP PostScript driver does not support booklet printing.

1. Click on the **Watermark** button on the **Job Options** tab.
2. Select a watermark from the list and click **OK**.
3. To create a new watermark or edit an existing watermark and specify its properties, click **New** or **Edit** respectively.



WINDOWS 98

COLLATING

Collating can be carried out with or without a hard disk drive (HDD) fitted. However, fitting a HDD will achieve greater performance.

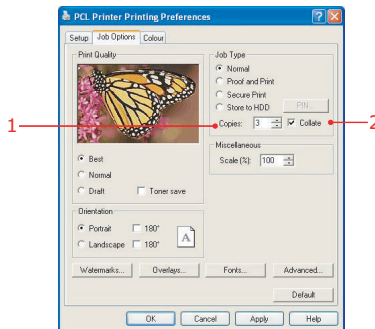
If the software application being used has a collate print option, it is recommended to use only one collate option to prevent any conflicts in printing, i.e. collate from the software application or collate from the printer driver. When collating from the application, the print job is sent multiple times to the printer (slower) whereas when collating from the driver the print job is sent once to the printer (faster).

The following instructions explain how to select collating using a printer driver.

1. Enter the number of copies required.
2. Check the **Collate** checkbox.

NOTE

Since the PCL and PostScript windows for all Windows versions are similar, only the Windows XP PCL window is shown.



FONT SUBSTITUTION

Font substitution can only be carried out using Windows PostScript drivers.

POSTSCRIPT DRIVER – WINDOWS XP

After clicking the **Advanced** button on the **Layout** tab:

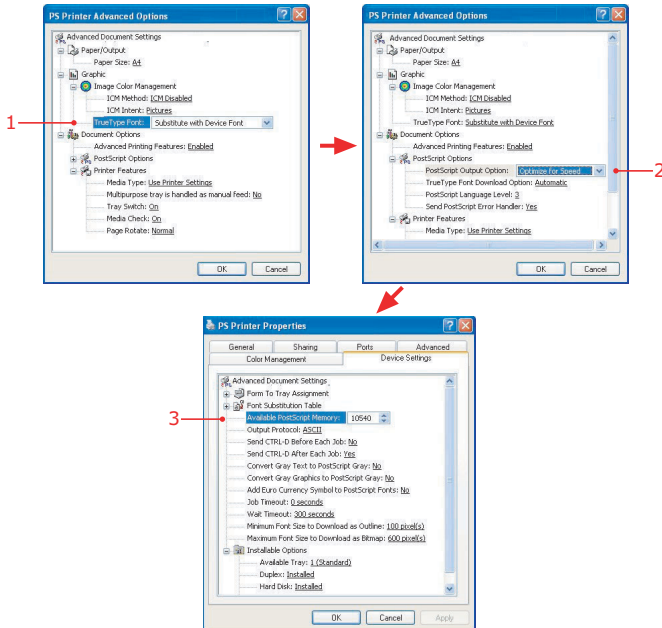
1. Select substitution or downloading a soft font from **True Type Font**.
2. Expand **Postscript Options** and select the required download option from **True Type Font Download Option**.

Click the **OK** button twice.

On the **Device Settings** tab:

3. Select the required font substitution from **Font Substitution Table**.

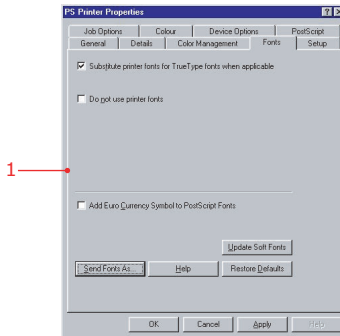
Click the **OK** button.



POSTSCRIPT DRIVER – WINDOWS 98

On the **Fonts** tab:

1. Select the type of font substitution from the various options given (use the on-line Help screen for information).
Click the **OK** button.



PRINTING THE LIST OF FONTS STORED ON THE PRINTER

1. Press the **Menu** button until PRINT MENU is displayed, then press the **Select** button.
2. Press the **Item** button until PRINT PCL FONT or PRINT PS FONT is displayed.
3. Press the **Select** button to print the font list. The printer returns to online status when the font list has printed.

PROOF AND PRINT

NOTE

- > *The internal hard disk must be fitted to the printer and enabled to allow for spooling of the print job before final printing.*
- > *If the hard disk memory is insufficient for the spooled data, DISK FULL is displayed and only one copy printed.*
- > *If the software application being used has a collate print option, this must be turned OFF for proof and print to operate correctly.*
- > *Proof and print may not be available in some software applications.*

Proof and print allows printing of a single copy of a document for checking before printing multiple copies of the same document.

NOTE

Since the PCL and PostScript windows for all Windows versions are similar, only the Windows XP PCL window is shown.

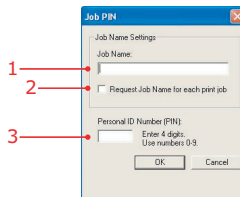
On the **Job Options** tab:

In **Job Type**, select **Proof and Print**.

In the pop-up window that appears:

1. Enter a job name of up to 16 characters.
2. Check if required for each print job to have a name.
3. Enter an arbitrary 4-digit personal ID number using numeric characters 0 to 9 only.

Click **OK** sufficient times to close the printer dialogue box.



4. Print the document from the software application being used. One copy of the document is printed for checking.

5. After checking, the remaining copies can then be printed or deleted (if incorrect) using the procedures given below.

PRINTING COPIES

To print the remaining copies of the document after checking, carry out the following on the printer:

1. Press the **Menu** button to access the PRINT JOBS MENU and press the **Select** button.
2. Using the buttons on the printer control panel, enter the same personal ID number entered in the driver.
3. Press the **Value** button until ALL JOBS or the required job name is displayed.
4. Press the **Select** button to select the print job and print the remaining copies of the document.

DELETING COPIES

If the print job is incorrect, it must be deleted from the printer as follows:

1. Press the **Menu** button to access the PRINT JOBS MENU and press the **Select** button.
2. Using the buttons on the printer control panel, enter the same personal ID number entered in the driver.
3. Press the **Value** button until ALL JOBS or the required job name is displayed.
4. Press the **Cancel** button to delete the remaining copies of the document.
5. When the deletion confirmation message appears, confirm by pressing the **Select** button.

SECURE PRINTING

NOTE

- > *The internal hard disk must be fitted to the printer and enabled to allow for spooling of the print job before final printing.*
- > *If the hard disk memory is insufficient for the spooled data, DISK FULL is displayed and only one copy printed.*
- > *If the software application being used has a collate print option, this must be turned OFF for secure printing to operate correctly.*
- > *Proof and print may not be available in some software applications.*

Secure printing or printing with passwords allows the printing of confidential documents on printers that are shared with other users.

NOTE

Since the PCL and PostScript windows for all Windows versions are similar, only the Windows XP PCL window is shown.

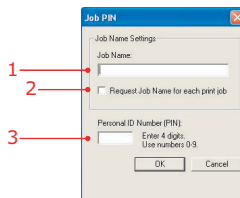
On the **Job Options** tab:

In **Job Type**, select **Secure Print**.

In the pop-up window that appears:

1. Enter a job name of up to 16 characters.
2. Check if required for each print job to have a name.
3. Enter an arbitrary 4-digit personal ID number using numeric characters 0 to 9 only.

Click **OK** sufficient times to close the printer dialogue box.



4. Print the document from the software application being used to spool the print job on the printer's hard disk.

5. The print job can then be printed or deleted using the procedures given below.

CONFIDENTIAL PRINTING

To print out the confidential document, carry out the following on the printer:

1. Press the **Menu** button to access the PRINT JOBS MENU and press the **Select** button.
2. Using the buttons on the printer control panel, enter the same personal ID number entered in the driver.
3. Press the **Value** button until ALL JOBS or the required job name is displayed.
4. Press the **Select** button to print the document.

DELETING CONFIDENTIAL PRINT JOBS

If a confidential print job has been printed, it can then be deleted from the printer as follows:

1. Press the **Menu** button to access the PRINT JOBS MENU and press the **Select** button.
2. Using the buttons on the printer control panel, enter the same personal ID number entered in the driver.
3. Press the **Value** button until ALL JOBS or the required job name is displayed.
4. Press the **Cancel** button to select the print job and delete it from the printer.

STORE TO HARD DISK

NOTE

- > The internal hard disk must be fitted to the printer and enabled to allow for spooling of the print job before final printing.
- > If the hard disk memory is insufficient for the spooled data, **DISK FULL** is displayed and only one copy printed.
- > If the software application being used has a collate print option, this must be turned **OFF** for store to hard disk to operate correctly.
- > Store to hard disk may not be available in some software applications.

Store to hard disk (job spooling) allows print jobs to be temporarily stored on the hard disk before printing.

NOTE

Since the PCL and PostScript windows for all Windows versions are similar, only the Windows XP PCL window is shown.

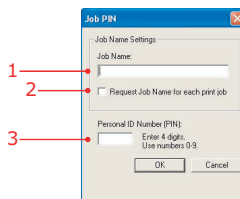
On the **Job Options** tab:

In **Job Type**, select **Store to HDD**, enter the number of required copies and, if required, check the **Collate** box.

In the pop-up window that appears:

1. Enter a job name of up to 16 characters.
2. Check if required for each print job to have a name.
3. Enter an arbitrary 4-digit personal ID number using numeric characters 0 to 9 only.

Click **OK** sufficient times to close the printer dialogue box.



4. Print the document from the software application being used and the document is stored on the hard disk.

5. The document can then be printed or deleted using the procedures given below.

PRINTING COPIES

To print the remaining copies of the document after checking, carry out the following on the printer:

1. Press the **Menu** button to access the PRINT JOBS MENU and press the **Select** button.
2. Using the buttons on the printer control panel, enter the same personal ID number entered in the driver.
3. Press the **Value** button until ALL JOBS or the required job name is displayed.
4. Press the **Select** button to select the print job and print the remaining copies of the document.

DELETING COPIES

If the print job is incorrect, it must be deleted from the printer as follows:

1. Press the **Menu** button to access the PRINT JOBS MENU and press the **Select** button.
2. Using the buttons on the printer control panel, enter the same personal ID number entered in the driver.
3. Press the **Value** button until ALL JOBS or the required job name is displayed.
4. Press the **Cancel** button to delete the remaining copies of the document.
5. When the deletion confirmation message appears, confirm by pressing the **Select** button.

OVERLAY PRINTING

WHAT ARE OVERLAYS?

Overlays can be useful for tasks such as printing letterheads, forms, or invoices, and should reduce the need for pre-printed stationery.

An Overlay can be a combination of graphics, fonts, or text that is stored inside the printer's flash memory or hard disk, and printed whenever required. The result is similar to the Watermark feature, but with the ability to be much more elaborate.

AN EXAMPLE OF USING OVERLAYS

Suppose that you have added several different files to the printer using the Storage Device Manager. One file might contain your company logo, a second file might contain the company address, and a third file could contain the company mission statement. The Overlay feature allows these items to be printed in various combinations, depending on your requirements. For example:

- > You could create an Overlay consisting of a single item such as the file that prints the logo; this could add the company logo to every document that you print.
- > You could create an Overlay that combines all 3 files (the logo, address and the mission statement), and this would allow all 3 items to be printed together, similar to a pre-printed letter template.

OVERVIEW OF THE STEPS REQUIRED

There are essentially 3 steps to using Overlays with the printer:

1. Create the document that you wish to use for Overlay printing (e.g. a letterhead) and generate a PRN file (print file) using the printer driver.
2. Use the Storage Device Manager utility to convert this PRN file (print file) to a file, and download it to the printer.
3. Use the file(s) you've downloaded to the printer to create Overlays, and then print your documents.

You don't need to carry out all the steps above every time you wish to print an overlay. If the files you wish to use have already

been downloaded to the printer, you only need to carry out step 3 above. This is common in many office environments, where someone has already set up all the necessary files on the printer, and all the other users only have to switch on the required settings in the printer driver.

NOTE

- > *The internal hard disk must be fitted to the printer and enabled to allow for spooling of the print job before final printing.*
- > *If the hard disk memory is insufficient for the spooled data, DISK FULL is displayed and only one copy printed.*
- > *If the software application being used has a collate print option, this must be turned OFF for overlay to operate correctly.*
- > *An overlay may consist of more than one component file.*

CREATING DOCUMENTS TO USE AS OVERLAYS

An overlay can be created in any software application that can handle logos, letterheads, forms, etc. and can print to file.

PCL Driver

To create a print (PRN) file:

- 1.** From inside your application program, choose [File] then [Print].
- 2.** Ensure that the "Print To File" option is switched on in your application's Print dialogue box.
- 3.** Depending on the application, you may need to select your printer model, and then click [Properties...]. This should open the printer driver settings.

NOTE

It is important to ensure that you are using the PCL driver to do this.

- 4.** Choose all of the printer driver settings with which you would like your overlay to print.
- 5.** Try to keep the overlay to a single sheet. Don't use N-up, duplex, finisher options, etc. until printing the document that includes the overlay.

6. Click **OK** in the printer driver dialogue and this should return you to the application's print dialogue.
7. Click [Print].

Instead of sending the print job to the printer, this prompts you to save the print job on your PC's hard disk. Give the file a meaningful name such as "my template.prn".

PostScript

1. From inside your application program, choose [File] then [Print].
2. Ensure that the [Print To File] option is switched on in your application's Print dialogue box.
3. Depending on the application, you may need to select your printer model, and then click [Properties...]. This should open the printer driver settings.
4. Select the **Job Options** tab, and click the **Overlays...** button.
5. Choose **Create Form** from the menu.
6. Click **OK** to close the Printer Driver.
7. Then click **OK** to print the document to file.

Instead of sending the print job to the printer, this prompts you to save the print job on your PC's hard disk. Give the file a meaningful name such as "my template.prn".

NOTE

It is important to ensure that you are using the PostScript driver to do this.

DOWNLOADING THE PRINT FILE TO USE AS AN OVERLAY

In the previous section, you created a print (PRN) file on your PC's hard disk. This section explains how download this file to the printer using the Storage Device Manager.

The Storage Device Manager is included with the original software CDs that were supplied with your printer.

1. Launch the Storage Device Manager and allow the program to discover (locate) the printer.

2. Click on [Project] then [New Project].
3. Select [Add File to Project] from the Project menu, and select the PRN file(s) that you created earlier.

PCL: This automatically generates a file BIN file.

Important: At this step, you will see in the project window that the file (BIN) file is assigned an ID number. You can change this ID number by double-clicking it, and entering a new one in the ID field.

PostScript: This automatically generates a PostScript hst file. Note the name that the file is assigned in the Storage Device Manager. Names are case sensitive.

NOTE

For PCL and PostScript: This is important because you need to use this ID number or name when creating overlays in the printer driver. Therefore, it is recommended you change the ID number or name from the default value and note it for later use.

4. Make sure the printer being used is highlighted in the lower window of the Storage Device Manager.
5. Select the [Project] menu and then choose [Send Project Files to Printer].

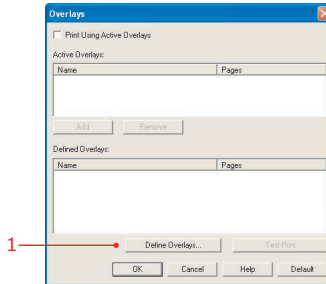
This downloads the file to the printer. The Storage Device Manager displays "Command Issued" to indicate that the file was downloaded successfully.

6. Close the Storage Device Manager.

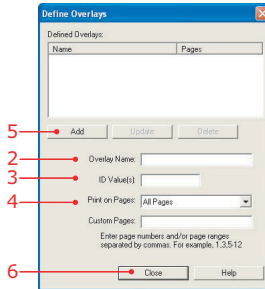
DEFINING OVERLAYS

PCL driver

On the **Job Options** tab, click on the **Overlay** button.



1. To define an overlay, click on the **Define Overlays** button.

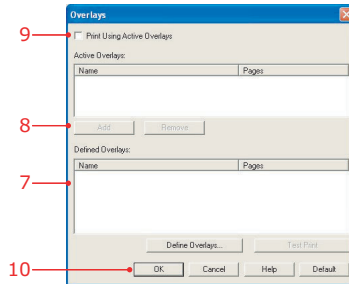


2. Enter the file name of the overlay.

NOTE

The Overlay Name must be exactly the same as the file name you made a note of in the previous section. This is the name under which the file is stored on the printer's hard disk drive. It is case sensitive.

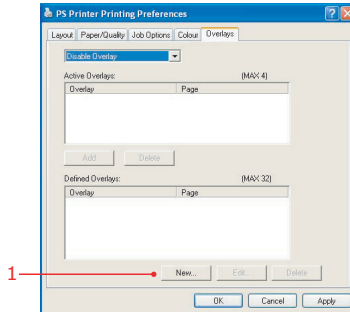
3. Enter the ID of the file. Please refer to the user guide for the Storage Manager.
4. Select which pages the overlay is to be printed on.
5. Click on the **Add** button.
6. Click on the **Close** button.
7. Highlight the overlay name in **Defined Overlays**.



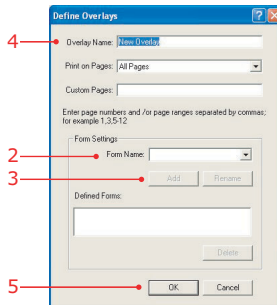
8. Click on the **Add** button to add the overlay to the list in **Active Overlays**.
9. Check the **Print Using Active Overlays** box.
10. Click on **OK** sufficient times to close the printer dialogue box.

PostScript driver:

1. On the **Overlays** tab, click on the **New** button.



2. Enter the file name of a form.



3. Click on the **Add** button.

NOTE

The Form Name must be exactly the same as the file name you made a note of in the previous section. This is the name under which the file is stored on the printer's hard disk drive. It is case sensitive.

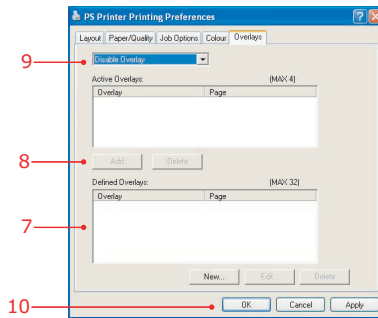
If required, continue to add form files to the overlay.

4. Enter a name for the overlay.
5. Select which pages the overlay is to be printed on.

NOTE

The Overlay Name is a random name of your selection.

6. Click on the **OK** button.
7. Highlight the overlay name in **Defined Overlays**.



8. Click on the **Add** button to add the overlay to the list in **Active Overlays**.
9. Select **Use Overlay** from the drop down list.
10. Click on **OK** sufficient times to close the printer dialogue box.

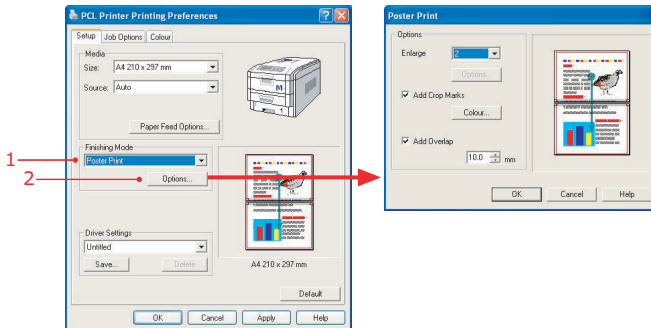
PRINTING POSTERS

This option allows you to configure and print posters. It is only available with the PCL printer driver.

1. Select poster printing.
2. Click the **Options** button to configure the poster.

NOTE

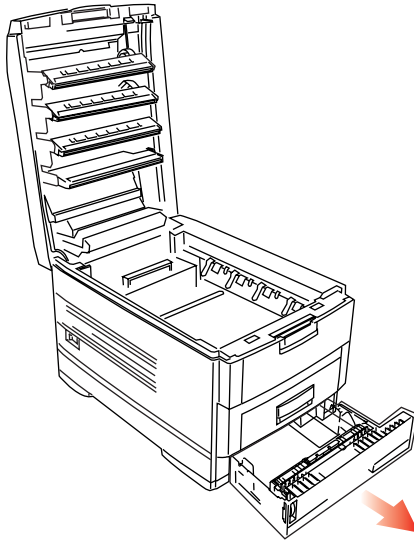
Since the PCL windows for all Windows versions are similar, only the Windows XP PCL windows are shown.



MAINTENANCE

ADDING PAPER

The LCD display will indicate when the number of sheets of paper in any paper tray falls below 30. At this time it is advisable to replenish the tray as follows:



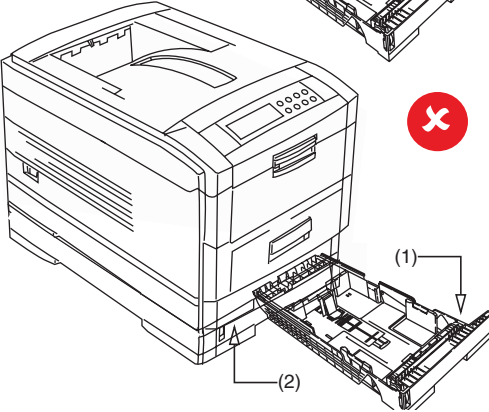
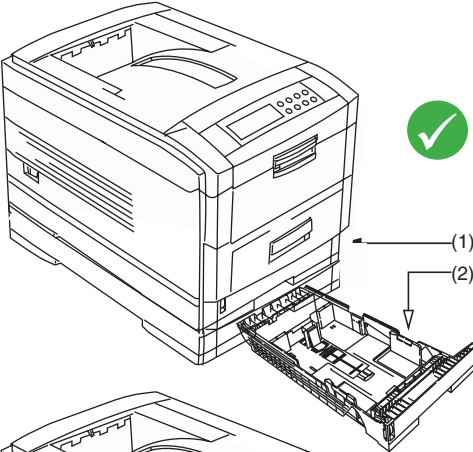
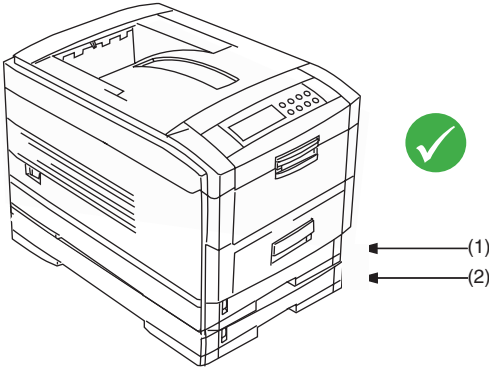
- 1.** Remove the paper tray.
- 2.** Remove the remaining sheets of paper.
- 3.** Refill the tray with up to a ream (500 sheets) of paper, then replace the sheets removed in step 2. above (this ensures that the oldest paper is used first, to help prevent paper jams).

4. Check that the paper guides and rear stopper are correct for the size of paper being used.

To prevent paper jams:

- > Don't leave space between the paper and the paper guides and rear stopper.
- > Don't overfill the paper tray. Capacity depends on the type of paper and the paper weight (max. 530 sheets of 80gm²).
- > Don't load damaged paper.
- > Don't mix paper of different sizes, paper quality or thickness.
- > Don't remove the paper tray during printing.
- > Close the paper tray gently.

5. If fitted, a lower paper tray cannot be used to print if there is no paper tray inserted above it.



CHANGING THE TONER CARTRIDGE

When the toner is running low, *** TONER LOW is displayed in the control panel (*** is the colour name). If printing continues without replacing the toner cartridge, CHANGE *** TONER is displayed and printing is cancelled. Depending on the operating environment, print may become feint before this message is displayed. At this stage, remove the toner cartridge and check whether it is empty; if so, the toner cartridge needs to be replaced.

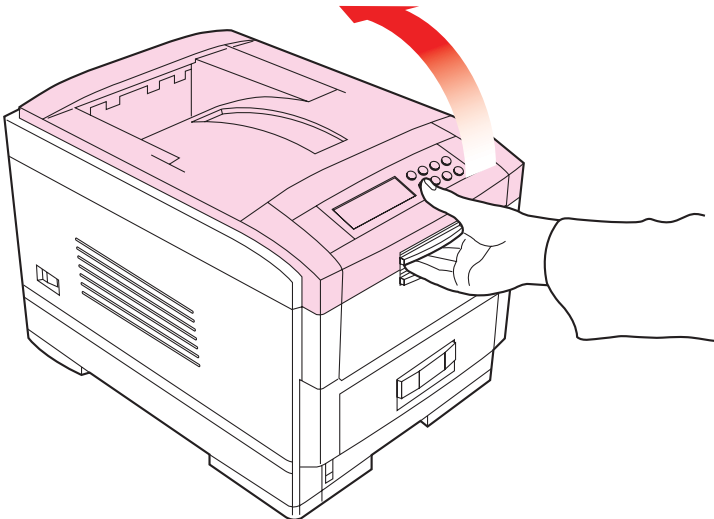
Cartridge life is approximately 10 000 A4 pages at 5% print density. The first toner cartridge installed in a new image drum needs to be replaced after less than this amount because the toner cartridge has to fill a new image drum.

WARNING!

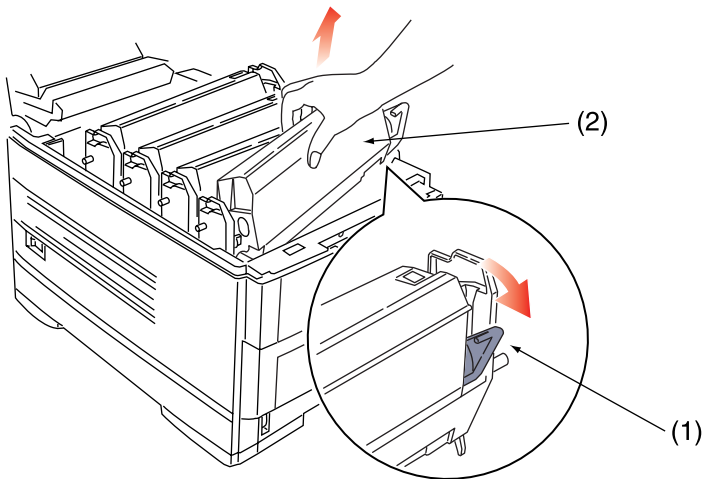
Take extreme care when handling toner.

- > **Toner can be harmful if inhaled, swallowed or if it gets in the eyes.**
- > **Toner can also stain hands and clothing.**

1. Switch off the printer and open the top cover.



2. Check the colour label of the toner cartridge to be changed.
3. Move the coloured lever (1) on the right of the toner cartridge in the direction of the arrow as far as it will go.



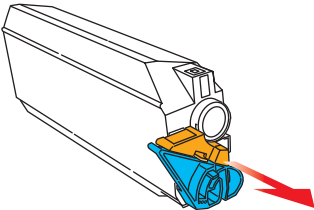
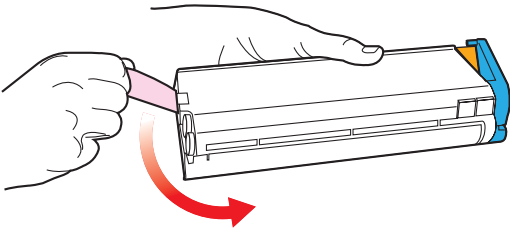
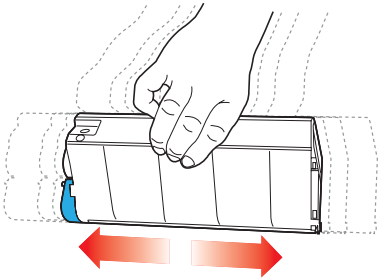
4. Remove the toner cartridge (2), lifting the right side of the cartridge first to disengage the locating peg on the image drum from the toner cartridge.

CAUTION!

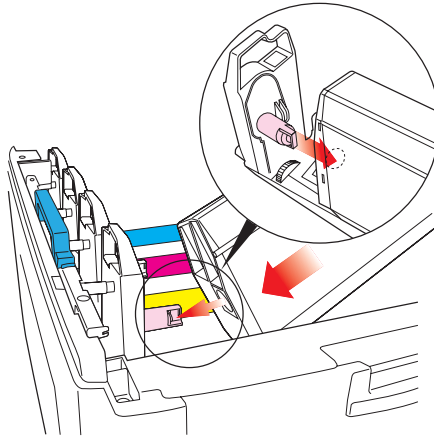
Dispose of the toner cartridge in accordance with local legislation.

5. Make sure the colours of the new toner cartridge and image drum correspond.
6. Shake the new toner cartridge back and forth several times. Then holding the toner cartridge horizontally,

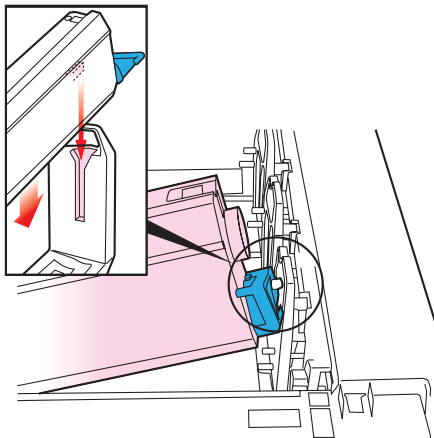
remove the tape. Remove the locking piece from behind the coloured toner release lever.



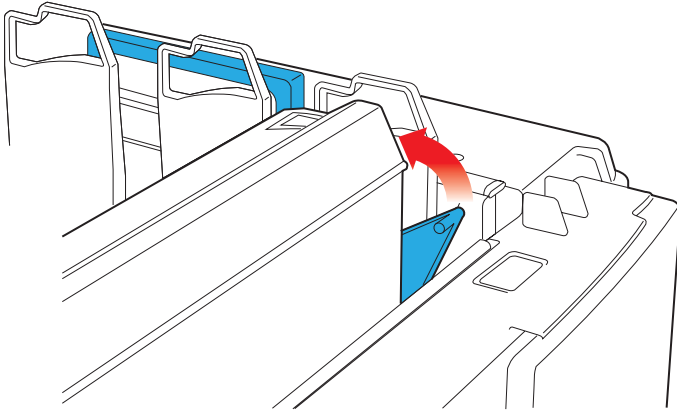
7. Insert the new toner cartridge into the image drum, left side first, engaging the drum locating peg in the hole in the toner cartridge.



8. Gently push the toner cartridge down, engaging the locking pin into the groove on the image drum.



9. Gently push the coloured lever forward until it stops. This releases the toner into the image drum.



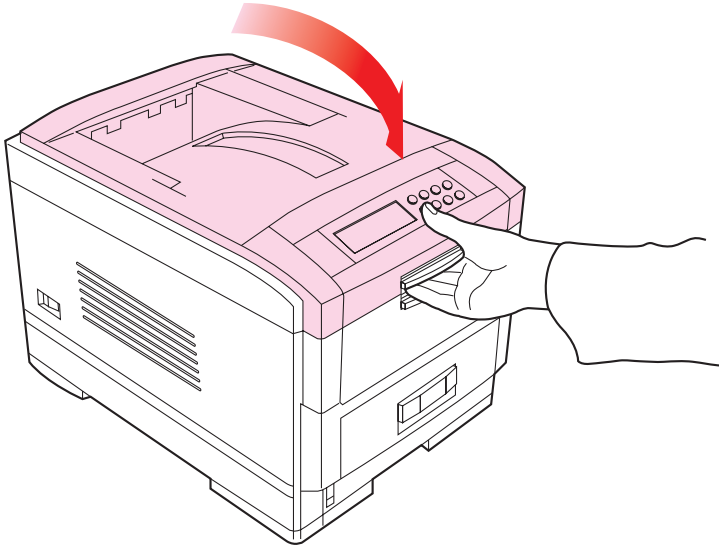
10. Gently wipe the LED head surface with LED lens cleaner or a soft tissue.



CAUTION!

Do not use methyl alcohol or other solvents on the LED head as damage to the lens surface will occur.

11. Close the top cover.



NOTE

After installing the new toner cartridge, the message on the display TONER LOW or CHANGE TONER should disappear. However, this sometimes does not disappear until printing has been carried out. If it still does not disappear, reinstall the toner cartridge.

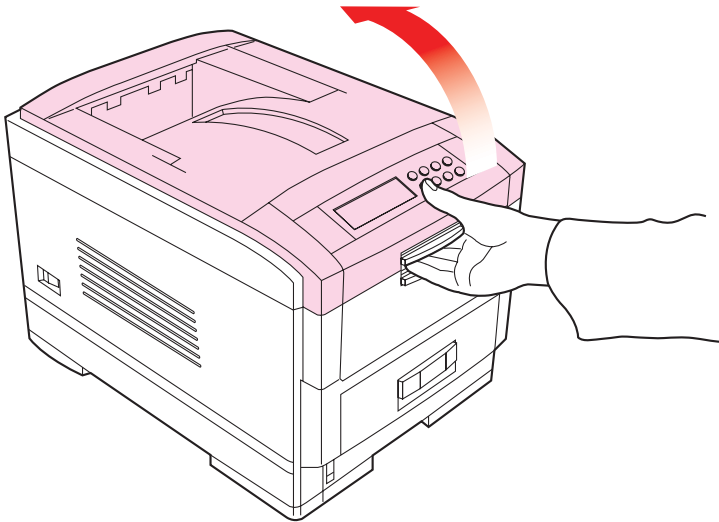
CHANGING THE IMAGE DRUM

When the image drum reaches the end of its product life, *** CHANGE DRUM is displayed in the control panel (*** is the colour name). If printing continues without replacing the image drum, CHANGE *** IMAGE DRUM is displayed and printing is cancelled. Image drum life is approximately 23 000 sheets of A4. (This assumes a typical office environment where 20% of print jobs are one page emails, 30% are 3 page word documents and 50 are print runs of 15 pages or more).

CAUTION!

- > **Never expose the image drum to light for more than 5 minutes and never expose the image drum to direct sunlight.**
- > **Never touch the surface of the green drum inside the image drum unit.**

1. Switch off the printer and open the top cover.



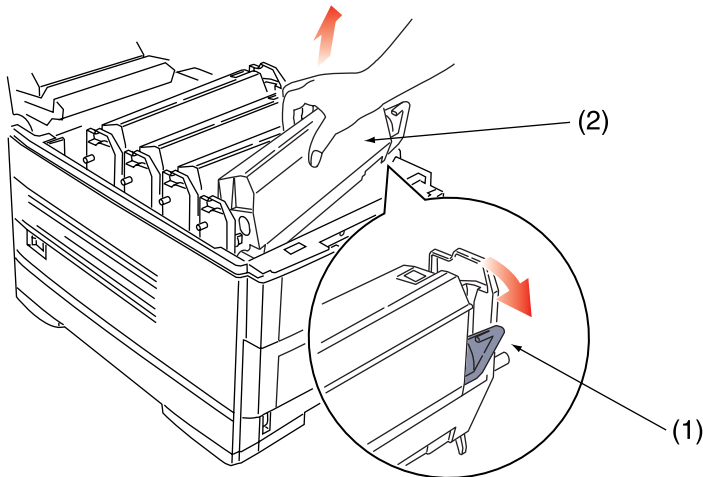
2. Remove the toner cartridge as follows:

WARNING!

Take extreme care when handling toner.

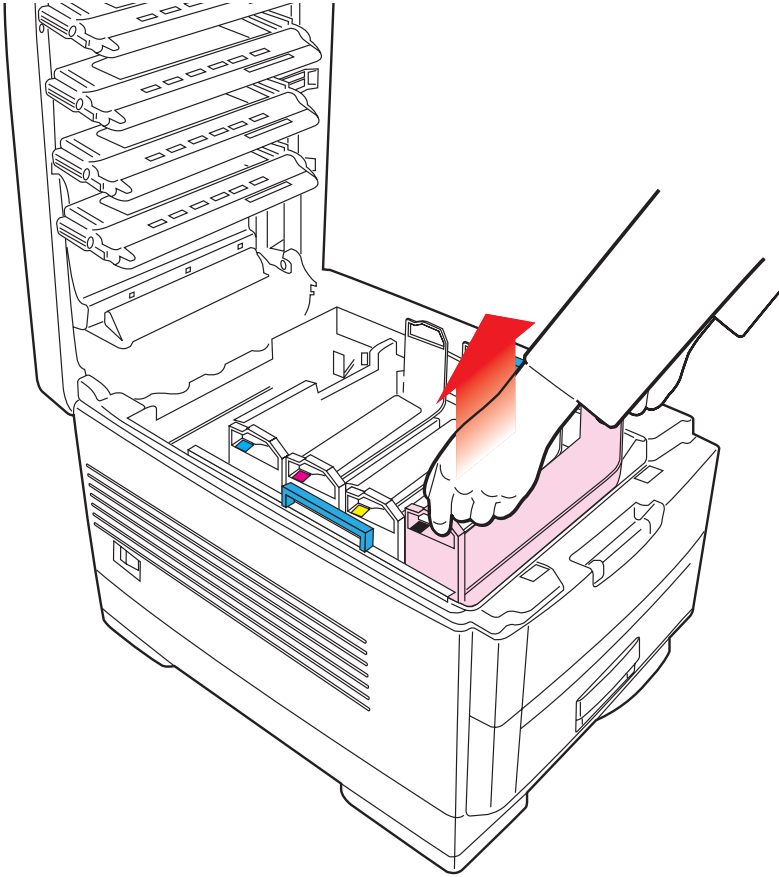
- > **Toner can be harmful if inhaled, swallowed or if it gets in the eyes.**
- > **Toner can also stain hands and clothing.**

- (a) Move the coloured lever (1) on the right of the toner cartridge in the direction of the arrow as far as it will go.



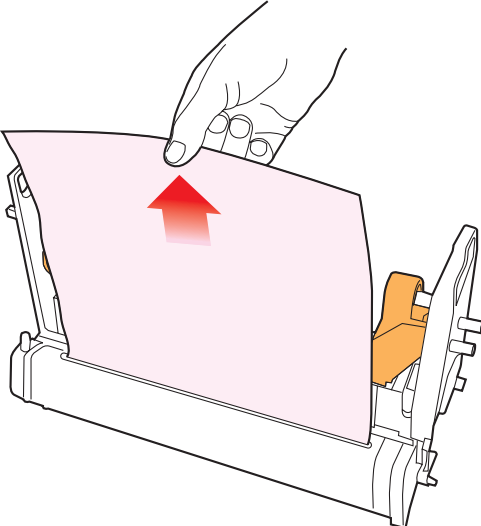
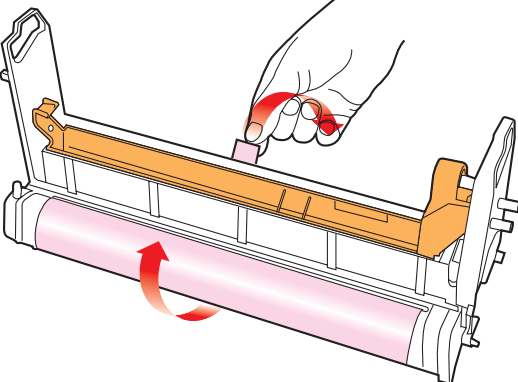
- (b) Carefully remove the toner cartridge (2), lifting the right side of the cartridge first to disengage the locating peg on the image drum from the toner cartridge.
- (c) Carefully put the toner cartridge in a safe place to avoid spillage.

3. Remove the image drum.

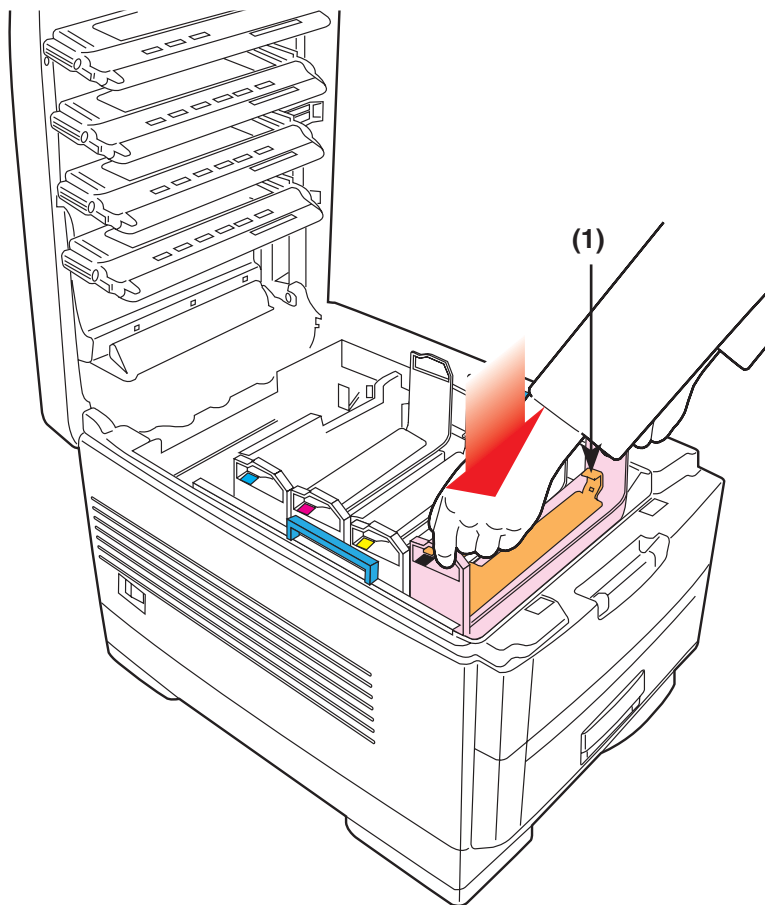


4. Make sure the replacement image drum is the correct colour and remove it from the packaging.

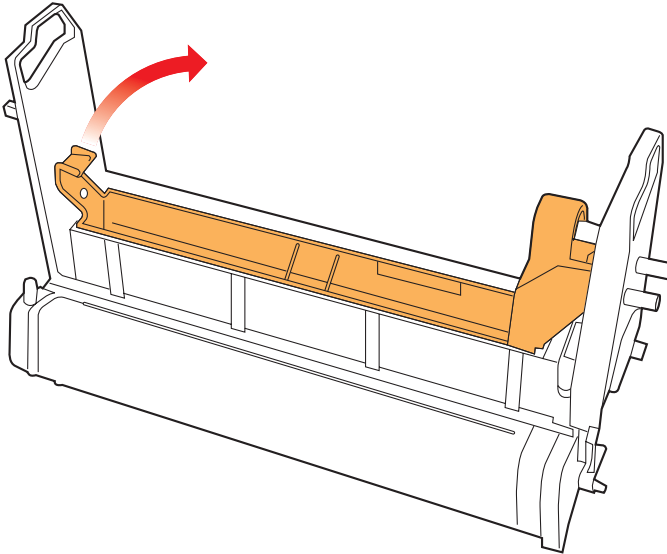
5. Remove the protective sheet from the new image drum.



6. Install the new image drum into its correct colour location in the printer.



- 7.** Push the tab inwards and remove the blanking plate from the image drum.

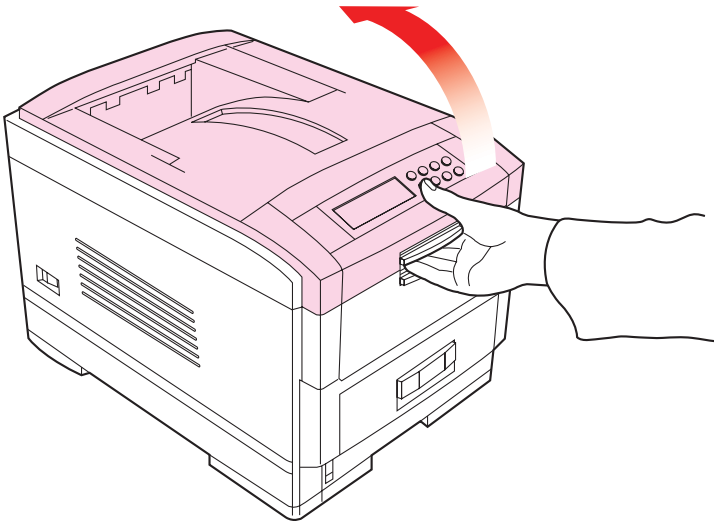


- 8.** Re-install the toner cartridge or replace it with a new toner cartridge of the corresponding colour. See "Changing toner cartridge" above.
- 9.** Close the top cover.

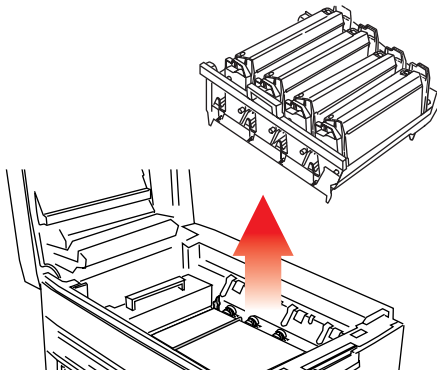
CHANGING THE TRANSFER BELT

When the transfer belt reaches the end of its product life, CHANGE BELT UNIT is displayed in the control panel. Transfer belt life is approximately 60000 sheets, A4, long edge feed. However, this assumes a standard print job of three sheets. If single sheets are printed, transfer belt life is reduced.

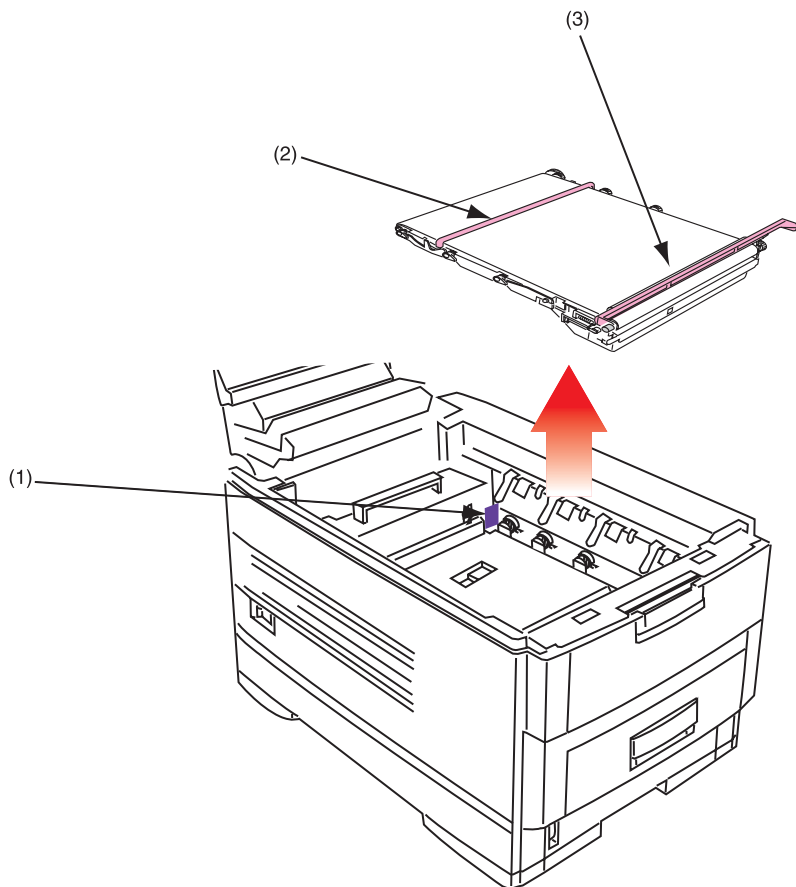
1. Switch off the printer and open the top cover.



2. Remove the cradle complete with the four image drums and toner cartridges from the printer.

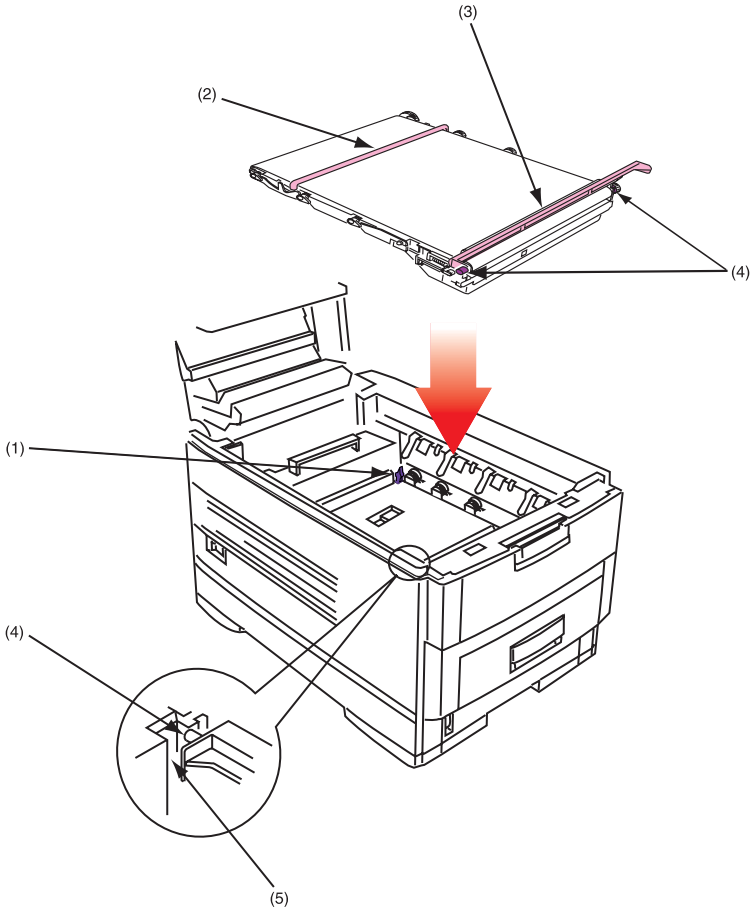


- 3.** Press back the lock lever (1) and, using the handles (2 and 3), remove the old transfer belt from the printer.



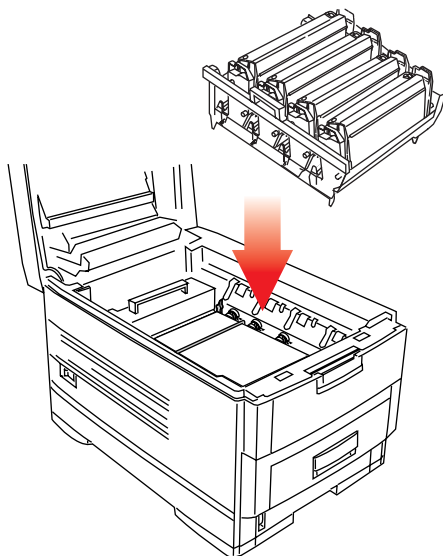
- 4.** Remove the new transfer belt unit from its packaging.

- 5.** Using the handles (2 and 3), align the pins (4) with the grooves (5) on the printer and insert the new transfer belt into the printer.



- 6.** Move the lock lever (1) toward the front of the printer and ensure it locks the transfer belt into place.

7. Install the cradle complete with the four image drums and toner cartridges back into the printer.

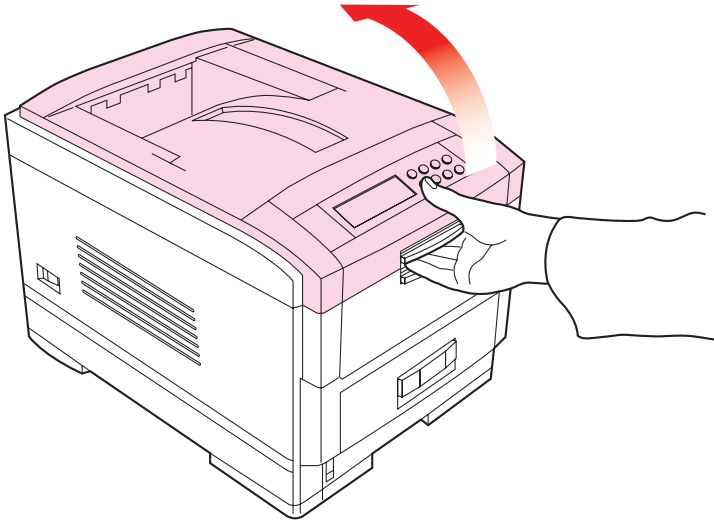


8. Close the top cover.

CHANGING THE FUSER UNIT

When the fuser unit reaches the end of its product life, **CHANGE FUSER UNIT** is displayed in the control panel. Fuser unit life is approximately 60 000 A4 sheets.

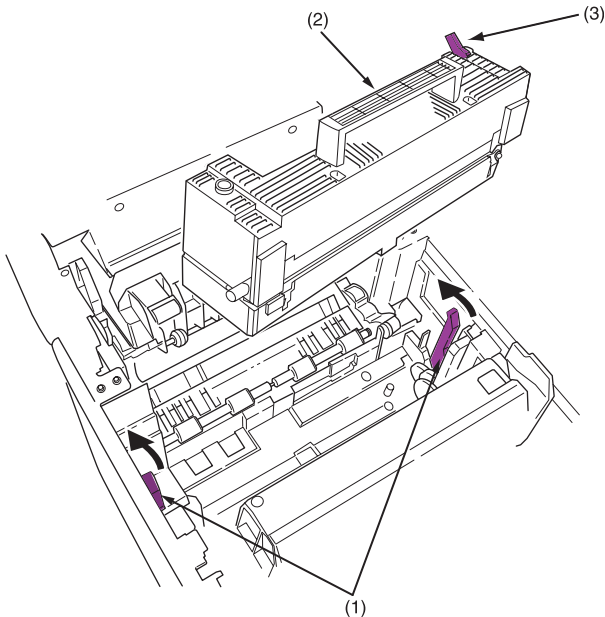
1. Switch off the printer and open the top cover.



WARNING!

The fuser unit is very hot after printing. Always use the handle when lifting it.

2. Move the two locking levers (1) to the rear of the machine to release the fuser unit.
3. Using the handle (2), remove the fuser unit from the printer.

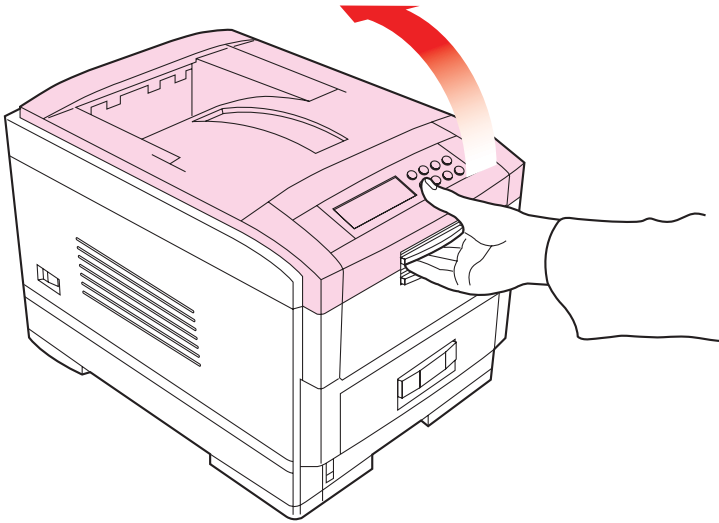


4. Remove the new fuser unit from its packaging.
5. Using the handle (2), install the new fuser unit into the printer.
6. Make sure the two spring loaded locking levers (1) lock the fuser unit into place.
7. Remove the retaining tape from the coloured, spring loaded lever (3) on top of the fuser unit.
8. Close the top cover.

CLEANING THE LED HEAD

Clean the LED head when printing does not come out clearly, has white lines or when text is blurred.

1. Switch off the printer and open the top cover.



CAUTION!

Do not use methyl alcohol or other solvents on the LED head as damage to the lens surface will occur.

- 2.** Gently wipe the LED head surface with LED lens cleaner or soft tissue.

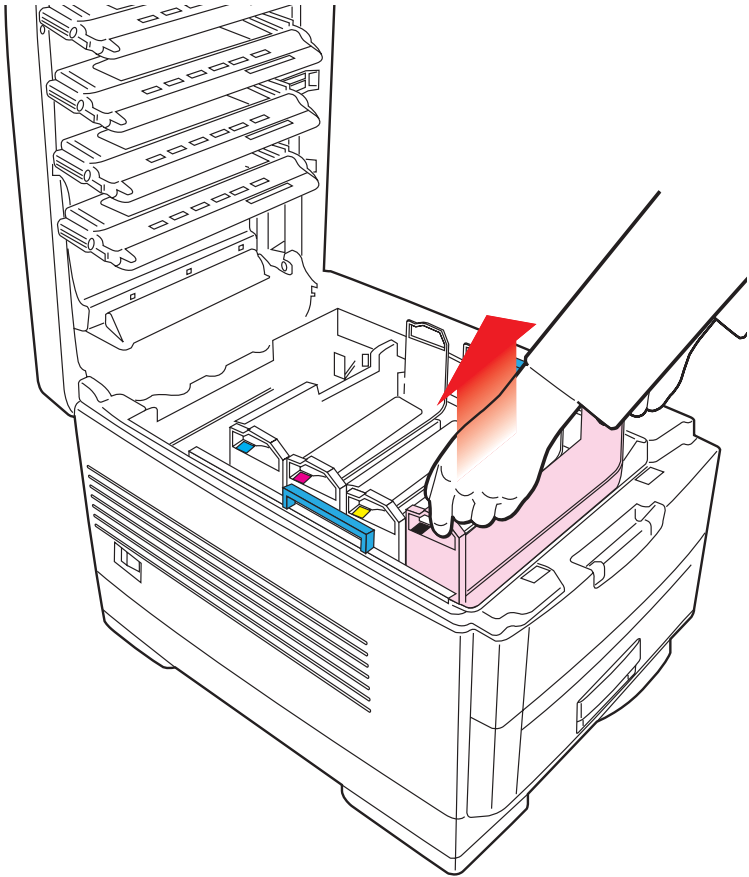


- 3.** Close the top cover.

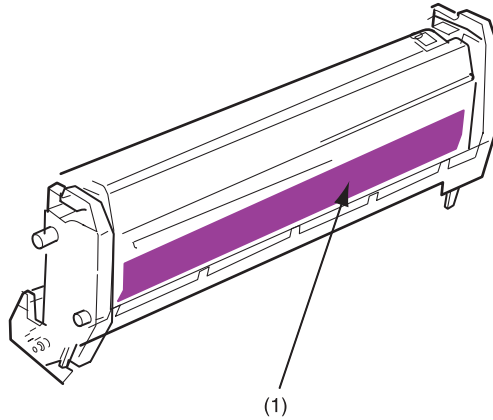
TRANSPORTING THE PRINTER

This printer is a precision machine. If it is transported without its protective packaging it may be prone to mechanical damage.

1. Turn off the printer.
2. Disconnect the power cable and printer interface cable from the printer and remove any paper from the paper trays.
3. Open the top cover and remove the four image drums.



- 4.** Seal the aperture on each image drum and its toner cartridge with plastic adhesive tape (1) to prevent any toner spillage during transportation.



- 5.** Replace the four image drums complete with their toner cartridges back into the printer.
- 6.** Using the original packaging material, place the printer inside its box and seal the box.

TROUBLESHOOTING

LCD MESSAGES

The liquid crystal display (LCD) on the control panel indicates the printer status and if there is a problem with the printer. Status and error messages are listed below together with an explanation of what each message means:

LCD MESSAGE	MEANING
***** TONER LOW	Toner is low (***** indicates colour).
***** TONER SENSOR ERROR	Error with the toner sensor (***** indicates colour). Call for service.
BELT UNIT MISSING	Transfer belt unit is missing.
CANCELLING JOB	Cancelling the current job.
CENTRO I/F ERROR	Centronics interface error (parallel interface).
CHANGE ***** IMAGE DRUM	Change the image drum (***** indicates colour).
CHANGE BELT UNIT	Change the transfer belt.
CHANGE FUSER UNIT	Change the fuser unit.
CHANGE PAPER TO *****	Paper must be changed to correct paper size and/or media type (***** indicates size or media type).
CHECK BELT UNIT	Check the transfer belt for paper jam, correct installation, etc.
CHECK DUPLEX	Check the duplex unit for paper jam, correct installation, etc.
CHECK FUSER UNIT	Check the fuser unit for paper jam, correct installation, etc.
CHECK IMAGE DRUM	Check the image drum for correct installation, etc. Colour will be indicated.
COLLATE FAIL	Collating of multiple copies has failed.
COLOUR ADJUSTING	Adjusting head so that colours do not shift on to each other.
COLOUR BALANCE ADJUST	Adjust the colour balance.

LCD MESSAGE	MEANING
COMMUNICATION ERROR	There is an error with communications to computer.
DATA ARRIVE	Data has been received but processing has not started yet.
DATA PRESENT	Unprinted data remains in buffer. Waiting for data to follow.
DISK FILE OPERATION FAILED	Error with hard disk operations.
DISK FILESYSTEM IS FULL	Hard disk/flash memory full.
DISK FULL	The internal hard drive is full.
EEPROM INITIALIZE ERROR	Call for service.
EMPTY	Indicates which paper tray is empty.
ERROR POSTSCRIPT	A PostScript error has occurred.
FATAL ERROR	Call for service.
FUSER UNIT MISSING	Fuser unit is missing.
INSTALL ADDITIONAL MEMORY	Additional memory is required before job can be printed.
INSTALL NEW IMAGE DRUM	Install a new image drum. Colour will be indicated.
INSTALL NEW TONER	Install a new toner cartridge. Colour will be indicated.
INSTALL PAPER CASSETTE	Install the paper cassette. Paper tray will be indicated.
INVALID DATA	Data is incorrect.
LOAD	Load correct paper size/type. Size/type will be indicated.
MEDIA MISMATCH	Paper type set via menu does not match that sent via driver.
NEAR END	The paper in the selected ***** is nearly finished (***** indicates paper tray).
NETWORK ERROR	Network error.
OFFLINE	Shows off-line status.
ONLINE	Shows on-line status.

LCD MESSAGE	MEANING
OPEN UPPER COVER	Open the upper cover.
PLEASE POWER OFF	Printer must be switched off after disk/flash initialisation.
POWER SAVE	The printer is in powersave mode.
PRINTING	Data is being printed.
PROCESSING	Data is being processed.
RAM CHECK	RAM is being checked after switching printer on.
REGISTRATION ADJUST TEST	Registration adjustment being tested.
REGISTRATION ERROR	An error has occurred setting up the registration.
REMOVE THE PAPER	Indicates wrong paper being used.
RS232C FRAMING ERROR	Serial framing error. Check configuration of serial card.
RS232C OVERFLOW ERROR	Serial overflow error. Check configuration of serial card.
RS232C OVERRUN ERROR	Serial overrun error. Check configuration of serial card.
RS232C PARITY ERROR	Serial parity error. Check configuration of serial card.
SERVICE CALL	A serious error has occurred. Call for service.
SHUTDOWN	Starts the shutdown procedure to protect file system on hard disk.
SIZE MISMATCH	Change paper to correct size/type.
STACKER FULL	Stacker is full. Remove paper.
UNSUITABLE SIZE	Indicates wrong paper size.
USB I/F ERROR	USB interface error.
WARMING UP	The printer is warming up.

PAPER JAMS

A paper jam will be indicated by an error message on the LCD. Paper jams are cleared as follows:

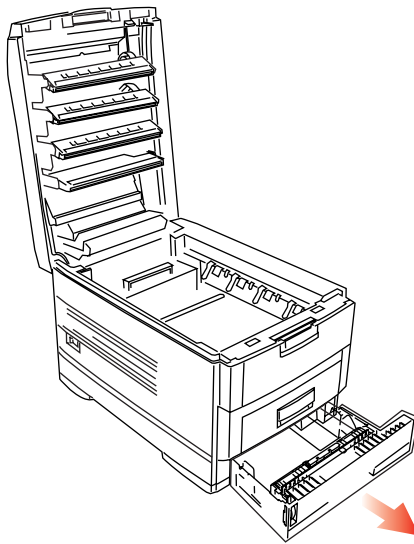
Open the top cover of the printer.

NOTE

The top cover of the printer must remain open (FOR UP TO A MAXIMUM OF 5 MINS.) until all checks for paper jams have been carried out. If the top cover is closed too soon, the paper jam error will not be cleared.

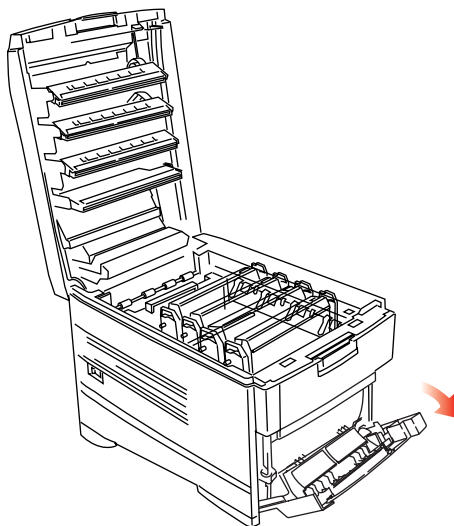
IN THE PAPER TRAY

Remove the paper tray and any jammed paper from the printer, then re-install the paper tray.



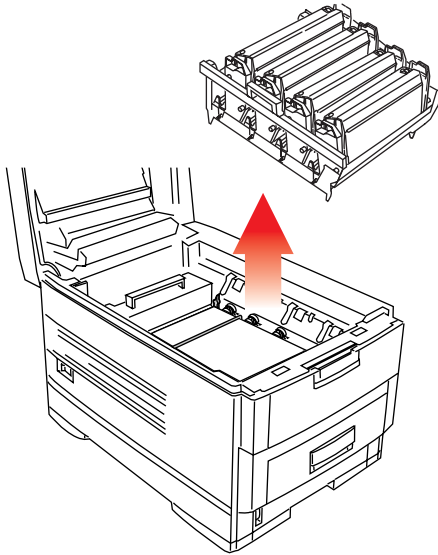
BEHIND THE FRONT COVER

Open the front cover and remove any jammed paper, then close the front cover.



ON THE TRANSFER BELT

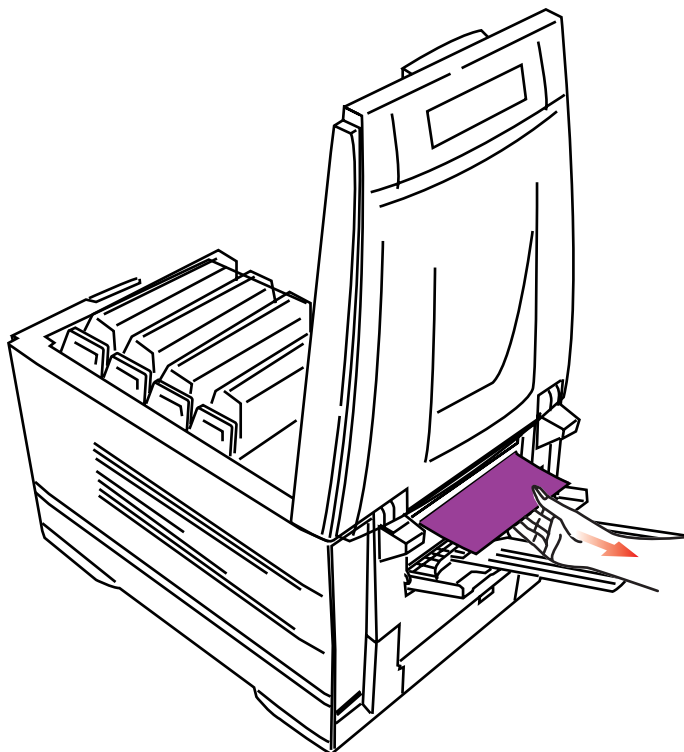
- (a) Remove all four image drums as one unit in their cradle.



- (b) Carefully remove any jammed paper from the transfer belt and top paper exit.
- (c) Replace all four image drums as one unit into the printer.

BEHIND THE REAR COVER

Open the rear cover and remove any jammed paper, then close the rear cover.



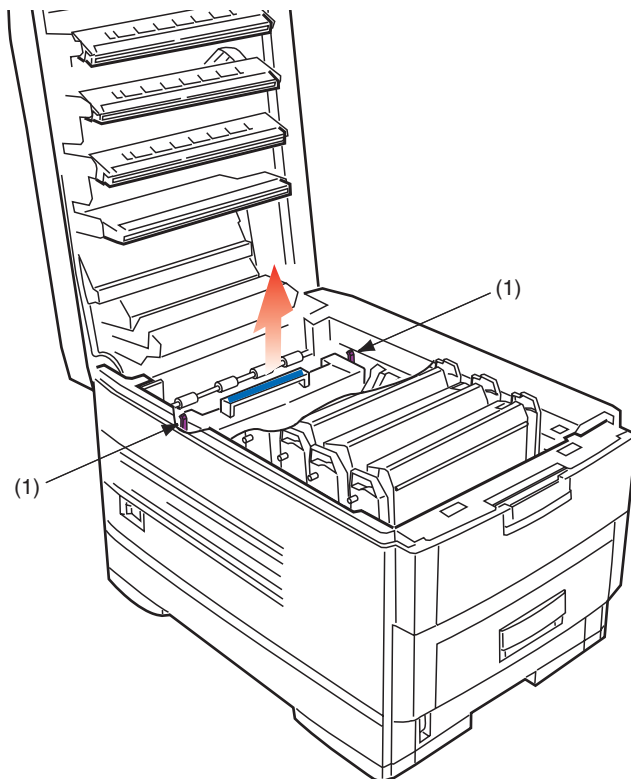
IN THE FUSER UNIT

If there is any paper jammed in the fuser unit, carry out the following:

WARNING!

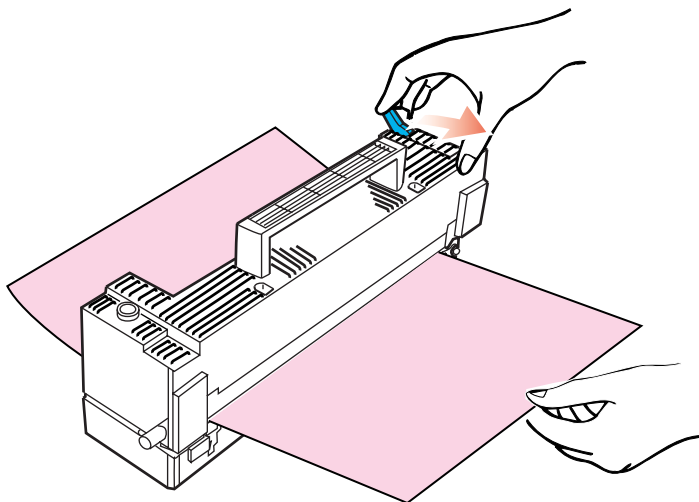
The fuser unit is very hot after printing. Always use the handle when lifting it.

- (a) Move the two coloured locking levers (1) either side of the fuser unit toward the rear of the machine (they are spring loaded toward the front).



- (b) Remove the fuser unit, holding the unit by the handle, and place it on a flat table.

- (c) With the coloured lever on the fuser unit to your right, move it toward you. Slowly remove any jammed paper.

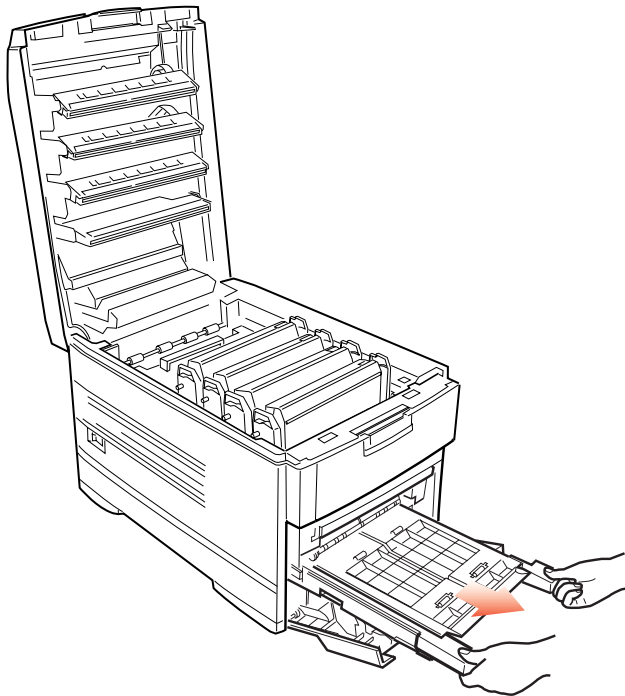


- (d) Replace the fuser unit in the printer.

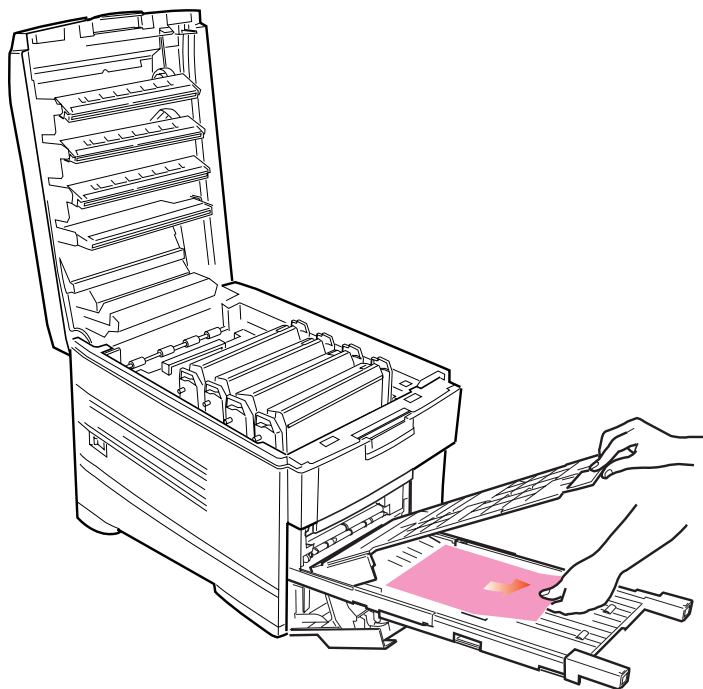
IN THE DUPLEX UNIT

If there is any paper jammed in the Duplex unit, carry out the following:

- (a) Open the front cover and slide out the duplex unit.



- (b) Open the duplex top cover and remove any jammed paper.



- (c) Close the duplex top cover and slide the duplex unit back into the printer.
- (d) Close the front cover.

IN ANY ADDITIONAL PAPER TRAYS

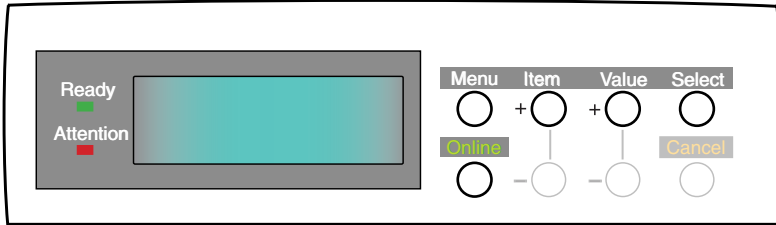
If any additional paper tray(s) are installed, remove the paper trays and check that no paper is jammed along the various parts of the exit path.

Finally...

When all paper jams have been cleared, close the top cover.

PARALLEL TRANSMISSION MODE

If there are problems communicating with the computer, i.e. the printout is garbled or incorrect, the transmission mode of the parallel interface can be changed.



1. Press the **Menu** button until PARALLEL MENU is displayed, then press the **Select** button.
2. Press the **Item** button until the required setting is displayed.
3. Press the **Value** button to display ENABLE or DISABLE as required.
4. Press the **Select** button to select the setting. An asterisk (*) appears to the right of the selected setting.
5. Press the **Online** button to return the printer to online status.

PROBLEM SOLVING

PAPER FEED PROBLEMS

If paper jams become frequent:

- > More than one sheet feeds at a time;
- > Paper curls;
- > Paper feeds at an angle.

POSSIBLE CAUSE	REMEDY
The printer is not horizontal.	Place the printer on a stable, level surface.
The paper is too thin.	Use the correct type of paper (see Specifications).
The paper is moist or affected by static.	Store paper within specified temperature and humidity levels.
The paper is creased or wrinkled.	As above.
The paper is not aligned correctly.	Adjust tray or manual feed guides.
Paper doesn't feed.	Correct paper feed selection in the printer driver.

PAPER JAM HAS BEEN CLEARED, BUT PRINTER DOES NOT PRINT

POSSIBLE CAUSE	REMEDY
The top cover has not remained open until all paper jams have been cleared.	Removing a paper jam is not sufficient. Raise and gently lower the top cover, especially if the paper jam has been removed from behind the front cover.

PRINTING FROM WINDOWS

CANNOT CONFIGURE FOR PARALLEL CONNECTION

POSSIBLE CAUSE	REMEDY
The computer does not support bi-directional parallel interface.	There is no cure for this problem. You should only use a computer that does!
Parallel cable does not meet specifications.	Use a bi-directional parallel cable to IEEE 1284–1994 standard.
The interface is disabled.	Check that the parallel interface is set to enable.
Configuration procedure was not correctly followed or cancelled.	Configure again from the beginning.
Parallel cable is disconnected or faulty.	Reconnect or try another cable.
A converter, buffer or extension cable is being used.	Test by connecting printer and computer directly.

CANNOT CONFIGURE FOR USB CONNECTION

NOTE

- > *Windows 95 does not support USB.*
- > *Windows 98 upgraded from Windows 95 may not support USB.*
- > *Windows 98 SE and Windows Me, 2000 and XP all support USB.*

POSSIBLE CAUSE	REMEDY
Computer does not support USB interface.	Check if there is a USB controller in the Windows device manager.
USB cable does not meet specifications.	Use USB cable to specification Ver. 2.0.
Interface is disabled.	Check that USB interface is set to Enable.
Configuration procedure was not correctly followed or cancelled.	Configure again from the beginning.

POSSIBLE CAUSE	REMEDY
USB cable is disconnected or faulty.	Reconnect or try another cable.
A USB hub is being used.	Test by connecting the printer and computer directly.

PRINTOUT IS GARBLED OR INCORRECT WITH PARALLEL CONNECTION

POSSIBLE CAUSE	REMEDY
Possible mismatch on parallel connection between computer and printer.	Change parallel transmission mode (see Parallel Transmission Mode above).

CANNOT PRINT

LPT write error displayed.

PRNUSBx write error is displayed.

POSSIBLE CAUSE	REMEDY
Interface is disabled.	In the printer menu settings, enable Parallel or USB interface.
Printer is switched OFF.	Switch ON.
Printer interface cable is disconnected.	Reconnect the printer interface cable.
A converter, buffer, extension cable or USB hub is being used.	Test by connecting the printer and computer directly.
Printer driver output port is incorrect.	Set correct output port to which the printer interface cable is connected.
Printer is not selected in the printer driver.	Select the printer or set to default printer.
Incorrect printer driver is being used.	Delete this printer driver and install correct printer driver.

APPLICATION ERROR OR GENERAL PROTECTION FAULT IS DISPLAYED

POSSIBLE CAUSE	REMEDY
Application is not suitable for Windows version.	Upgrade the application.
Memory is insufficient for number of applications running.	Close all other applications.
Print file is corrupted.	Correct or recreate the file.
Memory is insufficient for application.	Increase computer's memory.
Insufficient free space on hard disk.	Delete unnecessary files.
Printer driver is incorrectly configured.	Correctly configure printer driver.

INSUFFICIENT MEMORY

POSSIBLE CAUSE	REMEDY
Memory is insufficient for number of applications running.	Close all other applications.

PRINTING IS SLOW

POSSIBLE CAUSE	REMEDY
Print processing is carried out by the computer.	Use a computer with a faster processor.
Print resolution is set high.	Set lower print resolution in the printer driver.
Data is too complex.	Simplify data.

PRINTER REQUESTS PAPER SIZE CHANGE TO CONTINUE PRINTING

POSSIBLE CAUSE	REMEDY
Paper loaded in tray is different size from that formatted in software application.	Either change paper in tray to match size formatted in application and press ONLINE to continue, or continue printing on existing paper by pressing ONLINE.

UNCLEAR PRINTING

Longitudinal white stripes

POSSIBLE CAUSE	REMEDY
LED head is dirty.	Clean LED head with lens cleaner or soft tissue.
Toner is low.	Change toner cartridge.
Image drum damaged.	Change image drum.

Longitudinal fading

POSSIBLE CAUSE	REMEDY
LED head is dirty.	Clean LED head with lens cleaner or soft tissue.
Toner is low.	Change toner cartridge.
Paper is unsuitable for printer.	Use recommended paper.

Faint printing

POSSIBLE CAUSE	REMEDY
The toner cartridge is incorrectly installed.	Reinstall the toner cartridge.
Toner is low.	Change toner cartridge.
The paper is moist.	Store paper within specified temperature and humidity levels.
Paper is unsuitable for printer.	Use recommended paper.

Fading in patches

POSSIBLE CAUSE	REMEDY
The paper is moist.	Store paper within specified temperature and humidity levels.

Longitudinal black stripes

POSSIBLE CAUSE	REMEDY
Image drum is damaged.	Replace image drum.
Toner is low.	Change toner cartridge.
Periodic black lateral lines or spots.	If the lines or spots occur at intervals of approximately 44 - 94 mm, the image drum (green tube) is damaged or dirty. If damaged, replace the image drum cartridge. If dirty, wipe the image drum gently with soft tissue. If this does not work, replace the image drum. If the lines or spots occur at intervals of approximately 113 mm, the fuser roller is damaged. Change the fuser unit.
The image drum has been exposed to light.	Remove the image drum from the printer and store it in a dark place for several hours. If this does not work, replace the image drum.

Faint shading on unprinted sections

POSSIBLE CAUSE	REMEDY
Paper has been affected by static electricity.	Store paper within specified temperature and humidity levels.
Paper is too thick.	Use recommended paper.
Toner is low.	Change toner cartridge.

Blurred letter edges

POSSIBLE CAUSE	REMEDY
LED is dirty.	Clean LED with lens cleaner or soft tissue.
Cannot print desired colour because toner is low.	Replace toner cartridge.
Black formation method does not match application.	Open the printer driver and set black formation to CMYK.

MISCELLANEOUS

THE POWER IS ON, BUT THE PRINTER DOES NOT GO ONLINE

POSSIBLE CAUSE	REMEDY
	Switch off the printer and disconnect the power cable. Reconnect power cable and switch printer on. If this does not clear the fault, call for service.

PRINT PROCESSING DOES NOT START

POSSIBLE CAUSE	REMEDY
	Check the control panel. If an error message is displayed, correct the problem.

PRINT PROCESSING CANCELS

POSSIBLE CAUSE	REMEDY
The printer interface cable is faulty.	Replace the printer interface cable.
The time out setting is too short.	Reset time out to a higher value.

PRINTER MAKES A STRANGE NOISE

POSSIBLE CAUSE	REMEDY
The printer is not horizontal.	Place the printer on a stable, level surface.
There are scraps of paper or other foreign matter inside the printer.	Check the inside of the printer and remove any such objects.
The top cover is not firmly shut.	Press the left and right sides of the top cover.

PRINTER TAKES A LONG TIME TO START PRINTING

POSSIBLE CAUSE	REMEDY
The printer has to warm up returning from power save mode.	In the printer menu settings, set power save to a higher value to increase the length of time before entering power save mode.
The image drum carries out a cleaning process to ensure print quality, which takes time.	Wait until this process has been completed.
The fuser unit adjusts temperature, which takes time.	Wait until this process has been completed.
The printer is processing data from another interface.	Wait until this data is processed.

TONER RUBS OFF WHEN YOU RUB THE PRINTED SURFACE

POSSIBLE CAUSE	REMEDY
Media Weight and Media Type settings may not be appropriate.	Set the value of media weight to the next heaviest one.

ACCESSORIES

Refer to “Installed options” in the Printer Drivers section for details of setting device options to allow the driver to use an installed option.

ADDITIONAL MEMORY

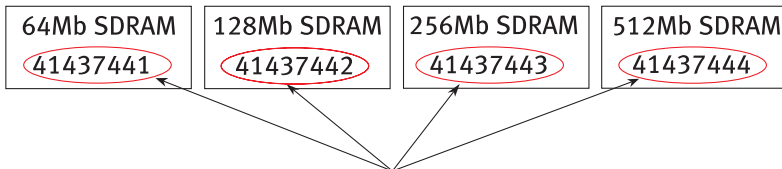
Additional memory increases the printer’s capacity to process complex data.

- > Installing additional memory is recommended if carrying out duplex printing or if error messages appear when printing complex data.
- > Also used for graphic intensive applications on Networks.
- > Additional memory is available in 64Mb, 128Mb, 256Mb and 512Mb modules.

NOTE

If the maximum amount of memory is being installed into the printer, the memory modules that were originally installed have to be removed.

Due to the design of the memory modules, it is very important that the modules are installed according to the part number/ capacity printed on the module. Please refer to the example below.

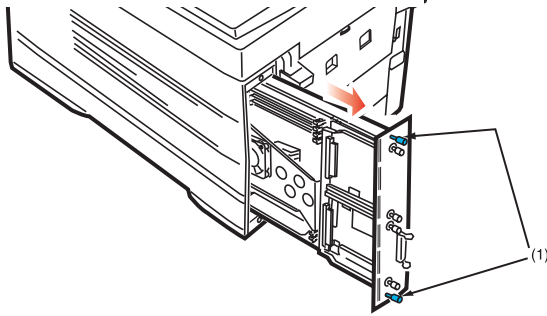


The module with the highest part number/capacity must be installed in Slot 1 first, next highest in Slot 3 and the lowest in Slot 2.

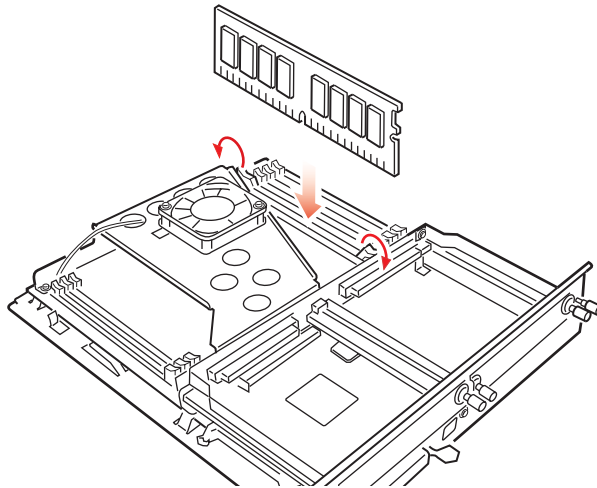
Installation

1. Switch off the printer and disconnect the power cable and printer interface cable.

2. Loosen the two screws (1) and remove the mother board.



3. Insert the memory modules into one of the three SDRAM slots as follows:



CAUTION!

The printer may not operate correctly if memory modules are not fitted correctly and IN THE CORRECT SEQUENCE.

4. If the memory modules are of the same capacity, the order of SDRAM slots to use is Slot 1, Slot 3, and Slot 2.
 - (a) If the memory modules are of different part number/capacity, insert the highest module into Slot 1, the second highest into Slot 3 and the lowest into Slot 2.
 - (b) Replace the mother board and secure it with the two screws.
5. Reconnect the printer interface cable and power cable, then switch on the printer.

NOTE

If the error message SERVICE CALL/034 appears on the LCD after switching the printer on, make sure the memory modules have been installed correctly.

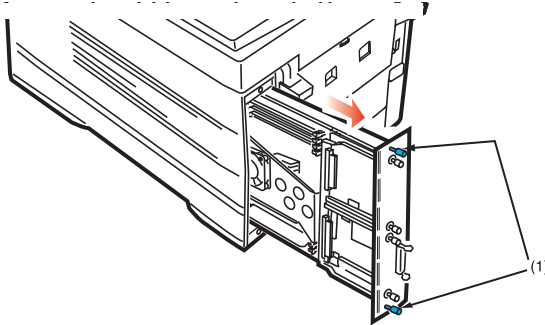
6. Print a Menu Map as follows to confirm the additional memory is correctly installed.
 - (a) Press the **Menu** button twice to access the INFORMATION MENU.
 - (b) Press the **Select** button and confirm that PRINT MENU MAP is displayed on the LCD.
 - (c) Press the **Select** button to print the menu map.
 - (d) Check that the Total Memory Size is the same as the memory now installed in the printer.

INTERNAL HARD DISK

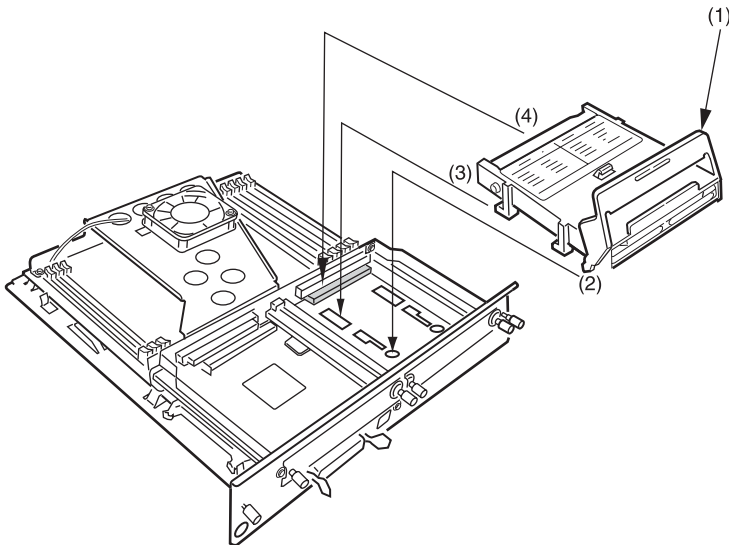
The optional internal hard disk is used for proof and print, password or secure printing.

Installation

1. Switch off the printer and disconnect the power cable and printer interface cable.
2. Loosen the two screws (1) and remove the mother board.



3. Hold the internal hard disk by the locking handle (1).



4. Insert the handle locating lugs (2) and four locating feet (3) into the holes in the mother board making sure the hard disk connector (4) starts to engage with the socket on the control board.
5. Gently push down on the locking handle (1) making sure the hard disk moves forward and fully engages with the socket.
6. Replace the mother board and secure it with the two screws.
7. Connect the printer interface cable and power cable, then switch on the printer.
8. Print a Menu Map as follows to confirm that the hard disk is correctly installed.
 - (a) Press the **Menu** button twice to access the INFORMATION MENU.
 - (b) Press the **Select** button and confirm that PRINT MENU MAP is displayed on the LCD.
 - (c) Press the **Select** button to print the menu map.
 - (d) Check that HDD now shows as being installed in the printer.

The printer will automatically configure to include this option. However, you can manually set it as follows:

1. Press the **Menu** button until DISK MAINTENANCE is displayed, then press the **Select** button.
2. When HDD INITIALISE is displayed, press the **Select** button.
3. Press the Item button to shutdown the printer, pause, and then switch on again (The printer has to be switched off and back on again to initialise the hard disk before use).

NOTE

- > *When initialising the hard disk, any fonts, overlays or print jobs that have been acknowledged will be erased.*
- > *The Storage Device Manager can also be used to initialise the hard disk after installation. Please refer to the User Guide for the Storage Device Manager.*

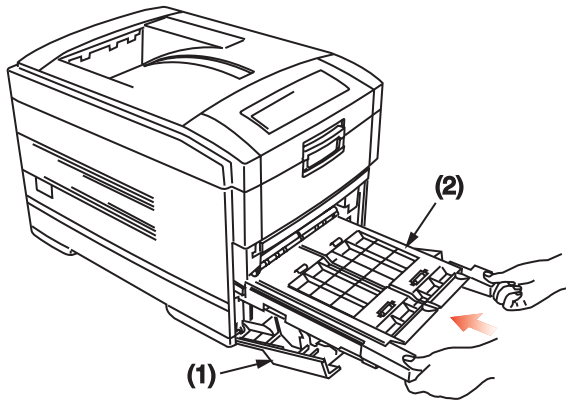
DUPLEX UNIT

NOTE

The duplex unit comes as standard with the C7350dn and C7350dtn.

Installation

1. Switch off the printer and disconnect the power cable.



2. Open the front cover (1).
3. Insert the duplex unit (2) into the printer engaging the sides of the duplex unit in the slots in the printer.
4. Gently slide the duplex unit (2) fully into the printer.
5. Close the front cover (1).
6. Connect the power cable and switch the printer on.

The printer will automatically configure to include this option. However, you can manually set it as follows:

1. Press the **Menu** button until PRINT MENU is displayed, then press the **Select** button.
2. Press the **Item** button until DUPLEX is displayed.
3. Press the **Value** button until ON is displayed then press the **Select** button. An asterisk (*) appears to show that duplex has been set to on.
4. Press the **Online** button to turn the printer back on line.

ADDITIONAL PAPER TRAYS

Two additional paper trays can be installed and, when combined with the standard paper tray, paper capacity increases to approximately 1690 sheets.

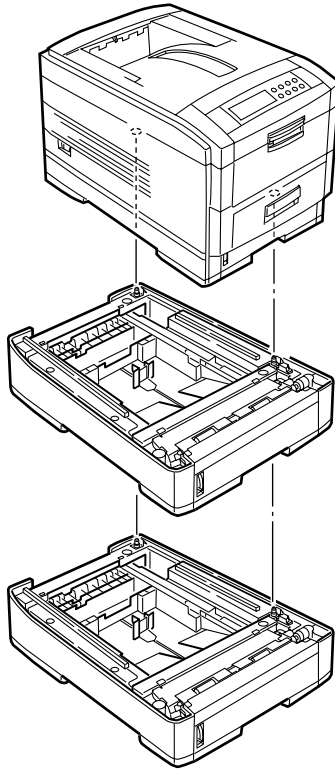
Installation

- 1.** Switch off the printer and disconnect the power cable and printer interface cable.

WARNING!

The printer weighs 48 kg. 2 people are required to lift the printer safely and prevent any personal injury.

2. Lower the printer gently on to the additional paper tray unit aligning the holes and connection socket on the base of the printer with the locating pegs and plug on the additional paper tray unit.



NOTE

If installing both additional paper trays, put the two additional paper trays together as one unit first, then install the printer on top of the two additional paper trays.

3. Connect the printer interface cable and power cable, then switch on the printer.

4. Print a Menu Map as follows to confirm the additional paper tray is correctly installed.
 - (a) Press the **Menu** button twice to access the INFORMATION MENU.
 - (b) Press the **Select** button and confirm PRINT MENU MAP is displayed on the LCD.
 - (c) Press the **Select** button to print the menu map.
 - (d) Check that TRAY 2 (and TRAY 3 if fitted) appear under MEDIA MENU.

The printer will automatically configure to include this option. However, you can manually set it as follows:

1. Press the **Menu** button until the PRINT MENU is displayed and press the **Select** button.
2. Press the **Item** button until AUTO TRAY SWITCH is displayed.
3. Press the **Value** button until ON is displayed, then press the Select button.
4. Press the **Online** button to turn the printer back online.

S700 SCANCOPIER SYSTEM

The S700 Scancofier System facility allows you to add A4 copying functionality (via a scanning and printing process) to your printer.

The accessories available are:

- > S700 Scancofier unit for scanning the original(s).
- > S700 ADF (Automatic Document Feeder) add-on for the S700 unit to accommodate multi-page scanning.
- > Cabinet on which to sit the printer.
- > Stand, which fits to the cabinet and provides a tray on which to locate the S700.

For full details of installing and using these accessories, refer to the S700 Scancofier User's Guide.

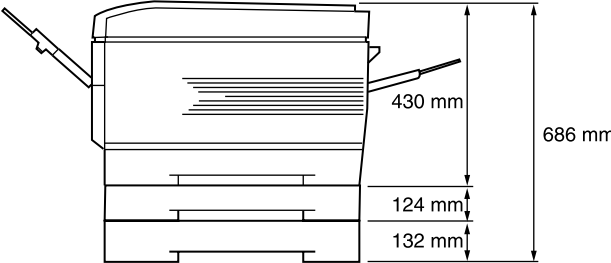
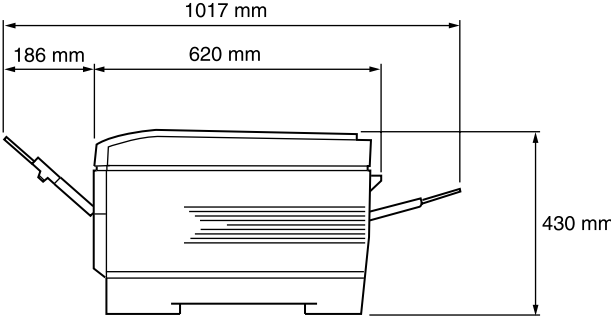
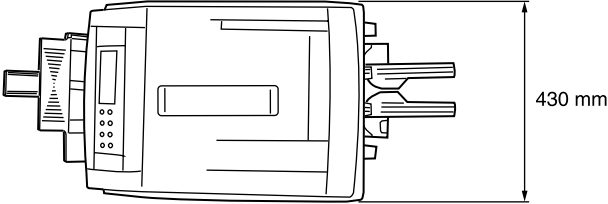
SPECIFICATIONS

Print method	LED exposed light source electronic photographic memory			
Resolution	1200 x 600 dpi			
Colours	Cyan, magenta, yellow, black (CMYK)			
CPU	Power PC 750 processor, 32 bit RISC CPU, 500 MHz, 64 bit			
Memory	C7350n - 192 Mb standard C7350dn - 192 Mb standard C7350dtn - 192Mb standard (Up to 1 Gb max. with optional memory modules)			
HDD	Capacity - 20Gb			
Print language	PostScript3, PCL5c & PCL6			
Operating platform	Windows 95/98/Me/2000/XP/NT4.0, MacOS 9 (or higher), OS X (10.1 or higher), Classic			
Internal font	PostScript 3, PCL5c fonts			
Print Start	First print time: 8 secs (mono), 9 secs (colour) Warm up time: 90 secs			
Parallel Interface	IEEE Std 1284-1994 parallel			
Connections	36-pin receptacle			
Cable	IEEE Std 1284-1994 compatible cable of up to 1.8 metres.			
Transmission mode:	Compatible, Nibble mode ECP			
Interface level	Low+0.0 – 0.8V High+2.4 – 5.0V			
Universal Serial Bus (USB) interface	USB specification Version 2.0			
Connections	USB type B			
Cable	USB specification Version 2.0 cable (shielded)			
Transmission mode:	Full speed (12 Mbps + 0.25% maximum)			
Power control	Self-powered device			
Network	100BASE-TX/10BASE-T			
Print speed in pages per minute (ppm) ^a	C7350	Colour 24ppm	Mono 26ppm	OHP Colour 8 ppm
	Duplex colour 17ppm			
Paper feed ^b	Paper tray, manual feed, optional additional paper tray(s)			
Media size - any tray	A4, A5, A6 (tray 1 only), B5, Legal 13/13.5/14 inch, letter, Executive.			

Media size - MP tray	A4, A5, A6, B5, Legal 13/13.5/14 inch, letter, executive, custom (up to 1200mm length), com-9 envelope, com-10 envelope, monarch envelope, DL envelope, C5 envelope, Oki Business card media
Media weight	Standard - 60 to 176g/m ² , multi purpose tray - 64 to 203g/m ² duplex unit - 75 - 105g/m ²
Media type	Plain, Letterhead, Transparency, Bond, Recycled, card stock, Rough, Labels
Paper capacity (depending on paper weight)	Paper tray: 530 sheets approx. Manual feed: 100 sheets approx.
Paper exit	Face up/face down (see Note)
Exit capacity (depending on paper weight)	Face up: 100 sheets approx. Face down: 500 sheets approx.
Print margin	4.3 mm min. (1/6 inch)
Startup time	Less than 3 min. from powering up (25°C)
Power supply	AC 230 V ± 10V, 50 Hz ± 2 Hz
Power consumption	Operating: 1500 max.; 600 W av. (25°C) Standby: 120 W av. (25°C) Power saving: 45 W max.
Current	7.0A or less (25°C)
Operating environment	Operating 10 to 32 °C/20 to 80% RH (optimum 25 °C wet, 2 °C dry) Off: 0 to 43 °C/10 to 90% RH (optimum 26.8 °C wet, 2 °C dry)
Print environment	30 to 73% RH @ 10 °C; 30 to 54% RH @ 32 °C 10 to 32 °C @ 30% RH; 10 to 27 °C @ 80% RH Colour 17 to 27 °C @ 50 to 0% RH
Consumables/ Maintenance unit	Toner cartridge, image drum cartridge, transfer belt unit, fuser roller unit
Duty cycle	100,000 pages per month (max)
Dimensions	430 x 430 x 620 mm
Weight	48 kg not including optional accessories and paper

- a. Print speed varies with paper size, media weight and paper feed.
- b. Exit method is limited by paper size, media weight and paper feed.

EXTERNAL DIMENSIONS



CONSUMABLES

DESCRIPTION	LIFE (SHEETS)	ORDER CODE
High Capacity Toner - Mono	10,000 @5% A4	41963008
High Capacity Toner - Cyan	10,000 @5% A4	41963007
High Capacity Toner - Magenta	10,000 @5% A4	41963006
High Capacity Toner - Yellow	10,000 @5% A4	41963005
Rainbow Pack	10,000 @5% A4	01101001
EP Image Drum - Mono	23,000 @5% A4	41962808
EP Image Drum - Cyan	23,000 @5% A4	41962807
EP Image Drum - Magenta	23,000 @5% A4	41962806
EP Image Drum - Yellow	23,000 @5% A4	41962805
Fuser Unit 230V	60,000 @5% A4	41945603
Transfer belt	60,000 @3 pages/job	41945503

NOTE

- > *A Rainbow pack consists of four high capacity toners (CMYK) in one box.*
- > *Image drum life is calculated in a typical office environment where 50% of the print jobs are one page "email" type documents, 30% are 3 page word documents and 50% are long print runs of 15 pages or more (graphics and multiple page/copies of documents.)*

FACTORY DEFAULT SETTINGS

PRINT MENU

ITEM	FACTORY DEFAULT SETTING
COPIES	1
DUPLEX	OFF
BINDING	LONG EDGE
JOB OFFSET	ON
PAPER FEED	TRAY1
TRAY SEQUENCE	DOWN
MP TRAY USAGE	FEED WHEN MISMATCHING
AUTO TRAY SWITCH	ON
MEDIA CHECK	ENABLE
PRIORITY TRAY	TRAY1
RESOLUTION 600dpi LED model 1200dpi LED model	600 dpi 1200 dpi
MONO-PRINT SPEED	AUTO
ORIENTATION	PORTRAIT
LINE PER PAGE	64
EDIT SIZE	CASSETTE SIZE

MEDIA MENU

ITEM	FACTORY DEFAULT SETTING
TRAY1 - TYPE: WEIGHT:	PLAIN MEDIUM
TRAY2 - TYPE: WEIGHT:	PLAIN MEDIUM
TRAY3 - TYPE: WEIGHT:	PLAIN MEDIUM

ITEM	FACTORY DEFAULT SETTING
MP TRAY - SIZE: TYPE: WEIGHT:	A4 PLAIN MEDIUM
UNIT OF MEASURE	MILLIMETRE
X DIMENSION	210
Y DIMENSION	297

COLOUR MENU

ITEM	FACTORY DEFAULT SETTING
AUTO REGISTRATION	ON
AUTO DENSITY MODE	AUTO
AUTO GAMMA CORRECTION	ON

SYSTEM CONFIG MENU

ITEM	FACTORY DEFAULT SETTING
POWER SAVE DELAY TIME	60 mins.
PERSONALITY	AUTO EMULATION
CLEARABLE WARNING	ON
AUTO CONTINUE	OFF
MANUAL TIMEOUT	60 sec.
WAIT TIMEOUT	40 sec.
LOW TONER	CONTINUE
JAM RECOVERY	ON
ERROR REPORT	OFF
LANGUAGE	ENGLISH

PCL EMULATION MENU

ITEM	FACTORY DEFAULT SETTING
FONT SOURCE	RESIDENT
FONT No.	1000
FONT PITCH	10.00 cpi
FONT HEIGHT	12.00 point
SYMBOL SET	pc-8
A4 PRINT WIDTH	78 column
WHITE PAGE SKIP	OFF
CR FUNCTUION	CR
LF FUNCTION	LF
PRINT MARGIN	NORMAL
TRUE BLACK	OFF
PEN WIDTH ADJUST	ON

PPR EMULATION MENU

ITEM	FACTORY DEFAULT SETTING
CHARACTER PITCH	10 cpi
FONT CONDENSE	10 cpi to 12 cpi
CHARACTER SET	SET - 2
SYMBOL SET	PC - 8
LETTER 0 STYLE	DISABLE
ZERO CHARACTER	NORMAL
LINE PITCH	6 LPI
WHITE PAGE SKIP	OFF
CR FUNCTUION	CR
LF FUNCTION	LR

ITEM	FACTORY DEFAULT SETTING
LINE LENGTH	80 column
FORM LENGTH	11.7 inch
TOF POSITION	0.0 inch
LEFT MARGIN	0.0 inch
FIT TO LETTER	DISABLE
TEXT HEIGHT	SAME
CONT PAPER MODE	OFF

FX EMULATION MENU

ITEM	FACTORY DEFAULT SETTING
CHARACTER PITCH	10 cpi
CHARACTER SET	SET - 2
SYMBOL SET	PC - 8
LETTER 0 STYLE	DISABLE
ZERO CHARACTER	NORMAL
LINE PITCH	6 LPI
WHITE PAGE SKIP	OFF
CR FUNCTUION	CR
LINE LENGTH	80 column
FORM LENGTH	11.7 inch
TOF POSITION	0.0 inch
LEFT MARGIN	0.0 inch
FIT TO LETTER	DISABLE
TEXT HEIGHT	SAME
CONT PAPER MODE	OFF

PARALLEL MENU

ITEM	FACTORY DEFAULT SETTING
PARALLEL	ENABLE
BI-DIRECTION	ENABLE
ECP	ENABLE
ACK WIDTH	NARROW
ACK/BUSY TIMING	ACK-IN-BUSY
I-PRIME	DISABLE

USB MENU

ITEM	FACTORY DEFAULT SETTING
USB	ENABLE
SOFT RESET	DISABLE

NETWORK MENU

ITEM	FACTORY DEFAULT SETTING
TCP/IP	ENABLE
NETWARE	ENABLE
ETHERTALK	ENABLE
NETBEUI	ENABLE
FRAME TYPE	AUTO
DHCP/BOOTP	ENABLE
RARP	DISABLE
IP ADDRESS	0.0.0.0
SUBNET MASK	0.0.0.0
GATEWAY ADDRESS	0.0.0.0
PRINT SETTINGS	OFF

ITEM	FACTORY DEFAULT SETTING
INITIALIZE	OFF

MEMORY MENU

ITEM	FACTORY DEFAULT SETTING
RECEIVE BUFF SIZE	AUTO
RESOURCE SAVE	OFF
FLASH INITIALIZE	-
PS FLASH RESIZE	0.5Mb

DISK MAINTENANCE MENU

ITEM	FACTORY DEFAULT SETTING
PARTITION #1	PCL
PARTITION #2	COMMON
PARTITION #3	PS

SYSTEM ADJUST MENU

ITEM	FACTORY DEFAULT SETTING
X ADJUST	0.0 mm
Y ADJUST	0.0 mm
DUPLEX X ADJUST	0.0 mm
DUPLEX Y ADJUST	0.0 mm
TRAY1 LEGAL14 PAPER	LEGAL 14
TRAY2 LEGAL14 PAPER	LEGAL 14
TRAY3 LEGAL14 PAPER	LEGAL 14
PCL TRAY2 ID#	5
PCL TRAY3 ID#	20

ITEM	FACTORY DEFAULT SETTING
PCL MP TRAY ID#	4
HEX DUMP	-

MAINTENANCE MENU

ITEM	FACTORY DEFAULT SETTING
EEPROM RESET	-
POWER SAVE	ENABLE
PAPER BLACK SETTING	0
PAPER COLOR SETTING	0
TRANSPR BLACK SETTING	0
TRANSPR COLOR SETTING	0

INDEX

A

- Additional memory.....165
- Additional paper trays171

B

- booklet printing 97

C

- collating copies.....101
- Colour Menu 47
- Components 16
- Control panel 34
- custom pages..... 92

D

- duplex printing 95
- Duplex unit.....170

E

- Error messages144

F

- Font list.....103
- font substitution102
- Fuser unit138

H

- Hard disk.....168

I

- Image drum.....128
- Information Menu 45

L

- LED head.....140
- Location 15

M

- Maintenance
 - Cleaning LED head140
 - Fuser unit138
 - Image drum128
 - Toner cartridge122
 - Transfer belt.....134
- multipages on one sheet..... 90

O

- Options
 - Additional memory165
 - Additional paper trays.....171
 - CCS Copier Unit173
 - Duplex unit170
 - Internal hard disk.....168

- overlay printing.....111
- overlays110

P

- Paper
 - Loading28
 - Manual feed32
 - Sizes38
 - Types40
- Paper jams147
- poster printing118
- Print Jobs Menu.....45
- Print Menu.....46
- print resolution94
- Printer
 - Changing display language35
 - Menu settings.....36
 - Unpacking.....13
- Printer settings
 - Changing43
 - Confirming43
 - List of settings.....44
- Printing
 - Font list103
- proof printing.....104

S

- secure printing106
- Setting up
 - Protective sheet removal.....19
 - Toner cartridge installation.....24
- spooling108
- Status messages144
- System Configuration Menu50

T

- Toner cartridge122
- Toner cartridge installation122
- Transfer belt134
- Transporting142
- Troubleshooting
 - Miscellaneous problems163
 - Paper jams147
- two-sided printing95

W

- watermark printing99

OKI CONTACT DETAILS

Oki Systems (UK) Limited

550 Dundee Road
Slough Trading Estate
Slough, SL1 4LE

Tel:44 (0) 1753 819819
Fax:44 (0) 1753 819899
<http://www.oki.co.uk>

Oki Systems Ireland Limited

The Square Industrial Complex
Tallaght, Dublin 24, Ireland

Tel:+353 1 4049590
Fax:+353 1 4049591
<http://www.oki.ie>

Technical Support:

Tel:+353 1 4049570
Fax:+353 1 4049555
E-mail: tech.support@oki.ie

Oki Systems (Ireland) Ltd.

(Northern Ireland)
40 Sydenham Park
Belfast, BT4 1PW

Tel:+44 (0)28 90 20 1110
<http://www.oki.ie>

Technical Support:

Tel: +44 (0)28 90 221919
E-mail: tech.support@oki.ie

Oki Data Corporation

4-11-22 Shibaura, Minato-ku, Tokyo
108-8551, Japan

Tel:(81) 3 5445 6158
Fax:(81) 3 5445 6189
<http://www.okidata.co.jp>

Oki Data (Singapore) Pte. Ltd.

78 Shenton Way, #09-01,
Singapore 079120

Tel:(65) 221 3722
Fax:(65)421 1688
<http://www.okidata.com.sg>

Oki Systems (Thailand) Ltd.

956 Udomvidhya Building 6th Floor,
Rama IV Rd., Bangkok 10500, Thailand

Tel:(662) 636 2535
Fax:(662) 636 2536
<http://www.okisysthai.com>

Oki Hong Kong Limited

Suite 1909, Tower3,
China Hong Kong City,
33 Canton Rd., Tsimshatsui,
Kowloon, Hong Kong

Tel:(852) 2736 0130
Fax:(852) 2376 3725

The IPL Group

63-85 Victoria Street
Beaconsfield NSW 2015, Australia

Tel:(61) 2 9690 8200
Fax:(61) 2 9690 8300
<http://www.oki.com.au>

Comworth Systems Ltd.

10 Constellation Drive Mairangi Bay,
Auckland,
New Zealand

Tel:(64) 9 477 0500
Fax:(64) 9 477 0549
<http://www.comworth.co.nz>

C7350 SERIES

OKI

Okī / Network Solutions
for a Global Society

OKI EUROPE, PART OF OKI ELECTRIC

CENTRAL HOUSE
BALFOUR ROAD, HOUNSLOW
TW3 1HY
UNITED KINGDOM
TEL +44 (0) 20 8219 2190
FAX +44 (0) 20 8219 2199

07055901 Iss.02